



**HAL**  
open science

# Control of PEMFC Air-Feed System using Lyapunov-based Robust and Adaptive Higher Order Sliding ModeControl

Salah Laghrouche, M. Harmouche, F.S. Ahmed, Yacine Chitour

► **To cite this version:**

Salah Laghrouche, M. Harmouche, F.S. Ahmed, Yacine Chitour. Control of PEMFC Air-Feed System using Lyapunov-based Robust and Adaptive Higher Order Sliding ModeControl. *IEEE Transactions on Control Systems Technology*, 2015, 23 (4), pp.1594-1601. 10.1109/test.2014.2371826 . hal-01271294

**HAL Id: hal-01271294**

**<https://centralesupelec.hal.science/hal-01271294>**

Submitted on 3 Apr 2020

**HAL** is a multi-disciplinary open access archive for the deposit and dissemination of scientific research documents, whether they are published or not. The documents may come from teaching and research institutions in France or abroad, or from public or private research centers.

L'archive ouverte pluridisciplinaire **HAL**, est destinée au dépôt et à la diffusion de documents scientifiques de niveau recherche, publiés ou non, émanant des établissements d'enseignement et de recherche français ou étrangers, des laboratoires publics ou privés.

# Control of PEMFC Air-Feed System Using Lyapunov-Based Robust and Adaptive Higher Order Sliding Mode Control

Salah Laghrouche, Mohamed Harmouche, Fayez Shakil Ahmed, and Yacine Chitour

**Abstract**—In this brief, we present Lyapunov-based robust and adaptive higher order sliding mode (HOSM) controllers for the air-feed system of polymer electrolyte membrane fuel cells, which is a nonlinear single-input, single-output system with bounded uncertainty. The system consists of a motorized compressor, which is driven at its optimal point in order to minimize the internal energy consumption of the system. This brief provides an experimental demonstration of the applicability of the recently developed fixed-gain robust controller and adaptive controller for this problem. Third-order controllers are developed in order to obtain a continuous profile for the input current of the compressor motor. In this regard, a complete adaptive arbitrary HOSM control has been presented for the first time, with Lyapunov-based proof. A performance comparison between the two controllers is presented in the end.

**Index Terms**—Adaptive control, finite time stabilization, higher order sliding mode (HOSM), Lyapunov analysis, polymer electrolyte membrane fuel cell (PEMFC), robust control.

## I. INTRODUCTION

FUEL cells and their auxiliary systems pose challenging control problems, as they are typically nonlinear and difficult to characterize. They require robust or adaptive control methods, as their physical parameters are uncertain, varying with operating conditions and environmental effects. One important control problem in polymer electrolyte membrane fuel cell (PEMFC) systems is the minimization of the power consumed internally by their air-feed systems, in order to maximize the net power output. In particular, a PEMFC needs a sufficient quantity of excess air (oxygen excess) in its cathode in order to respond to load variations and transitions without damaging itself [1]. On the other hand, it has been established that the power consumption of air-feed compressors is the highest among all auxiliary systems of the fuel cell, rising up to 20% of the total PEMFC

power output [1]. Therefore, the air-feed system requires precise control for running the compressor at its optimal operating point, thereby maximizing the net power output of the fuel cell while keeping the oxygen excess ratio high enough for proper operation [2], [3].

Higher order sliding mode control (HOSMC) [4] is a well-established control strategy for uncertain nonlinear systems, as it is insensitive to parametric uncertainty and external disturbance. Unlike classical sliding mode, HOSMC does not suffer from high-frequency chattering because the characteristic discontinuous control [5] acts upon a higher derivative of the sliding variable. If the bounds of parametric uncertainty in the system are known, then fixed-gain HOSM controllers can be designed with relative ease. However, this is usually difficult in practical cases, as the estimation of uncertainty bounds requires rigorous experimentation in worst case conditions. In these cases, adaptive-gain (or simply adaptive) controllers provide a successful means of controlling the system through dynamically adapting gains. However, these controllers ensure practical convergence only, i.e., to a neighborhood of the origin. Many fixed-gain arbitrary robust HOSMC algorithms exist in contemporary literature, prominent examples being [6]–[9]. Huang *et al.* [10] were the first to use dynamic gain adaptation in SMC for the problem of unknown uncertainty bound, following [11] and [12]. Other works in this domain include [13]–[16]. These contributions remain limited to first- and second-order sliding mode. Initial findings on Lyapunov-based robust and (partial) adaptive arbitrary HOSMC were recently presented in [17].

Sliding mode controllers have been studied for PEMFC air-feed system control as well in [18]–[20], and two important examples of second-order SMC (SOSMC) are [21] and [22]. In the former, the oxygen excess ratio is assumed to have a static relationship with the compressor flow rate, and the compressor is controlled using SOSMC. In the latter, the authors have proposed a dual loop Cascade SOSMC controller, which address the compressor speed reference and current control individually. This approach is more practical as both the control loops are robust; however, its implementation requires different loop rates for controllers. Approaching this problem by third-order-sliding-mode-based oxygen excess ratio controllers appears to be a better approach in comparison with both these methods, as third-order extension results in continuous current control of the motocompressor. Adaptive third-order controllers would provide further ease in control design as precise parameters of the otherwise complex system need not be known.

Manuscript received January 15, 2014; revised July 7, 2014; accepted October 8, 2014. Manuscript received in final form November 13, 2014. This work was supported by the iCODE Institute through the Research Project of Idex Paris-Saclay. Recommended by Associate Editor A. Zolotas.

S. Laghrouche is with the Laboratoire OPERA, Université de Technologie de Belfort-Montbéliard, Belfort 90010, France (e-mail: salah.laghrouche@utbm.fr).

M. Harmouche is with Actility, Paris 75899, France (e-mail: mohamed.harmouche@actility.com).

F. S. Ahmed is with the Laboratoire d'Automatique et de Génie des Procédés, Université Claude Bernard Lyon 1, Villeurbanne F-69622, France (e-mail: fahmed@lagep.univ-lyon1.fr).

Y. Chitour is with the Laboratoire des Signaux et Systèmes, Université Paris XI, Gif-sur-Yvette 91192, France (e-mail: yacine.chitour@lss.supelec.fr).

Color versions of one or more of the figures in this paper are available online at <http://ieeexplore.ieee.org>.

Digital Object Identifier 10.1109/TCST.2014.2371826

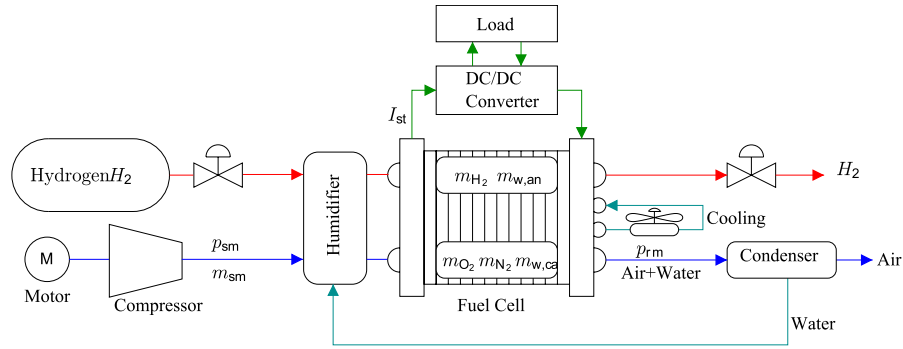


Fig. 1. Fuel cell air-feed system.

In this brief, the robust and adaptive approaches of [17] are extended and applied to the HOSM control of the PEMFC air-feed systems. The objective is to operate the air-feed compressor at its optimal point with respect to the load current, thereby maintaining the required oxygen excess ratio while keeping the power consumption low. There are two major contributions in this brief. First, it is shown that if the bounds of parametric uncertainty are known, then the air-feed control problem can be practically solved with the third-order robust HOSMC controller of [17]. The second main contribution in this brief is the extension of the partial adaptive controller presented in [17] to develop, for the first time, a complete adaptive arbitrary order sliding mode controller. The adaptation dynamics use a saturation function that results in rapid increase as well as rapid decrease of gains when the sliding variable and its derivatives are, respectively, outside and inside of a defined neighborhood of zero. The advantages of this adaptive controller design are its arbitrary order and its fast adaptation rates in both directions. The Lyapunov function defines sufficient conditions for controller parameters in order to ensure convergence to a defined neighborhood. The practical applicability of both the robust and adaptive controllers is demonstrated on a hardware-in-loop (HIL) air-feed test bench, using a real-time physical PEMFC emulator. A comparative analysis of the performances of the robust and adaptive controller is also presented.

This brief is organized as follows. The PEMFC air-feed system is described in Section II. HOSM problem formulation and robust and adaptive control design are discussed in Section III. Their implementation and experimental results are shown in Section IV. Finally, the conclusions are drawn in Section V.

## II. PEMFC AIR-FEED SYSTEM

The PEMFC air-feed system (Fig. 1) feeds the fuel cell cathode with air (as the source of oxygen). It consists of a motocompressor and a manifold, in which a certain quantity of air (oxygen excess) is maintained such that the reaction between hydrogen and oxygen is continuous, without any interruption. Maintaining sufficient oxygen excess is critical for the PEMFC, as insufficient air leads to oxygen starvation during load transitions, where a sudden high load imposes a sudden increase in the rate of reaction. The dynamic model of

a fuel cell air-feed system is as follows [22]:

$$\begin{aligned} \dot{x}_1 &= c_1(x_4 - x_1 - x_2 - c_2) \\ &\quad - \frac{c_3 x_1}{c_4 x_1 + c_5 x_2 + c_6} c_{17} \sqrt{x_1 + x_2 + c_2 - c_{11}} - c_7 \zeta \\ \dot{x}_2 &= c_8(x_4 - x_1 - x_2 - c_2) \\ &\quad - \frac{c_3 x_2}{c_4 x_1 + c_5 x_2 + c_6} c_{17} \sqrt{x_1 + x_2 + c_2 - c_{11}} \\ \dot{x}_3 &= -c_9 x_3 - c_{10} \left[ \left( \frac{x_4}{c_{11}} \right)^{c_{12}} - 1 \right] + c_{13} u \\ \dot{x}_4 &= c_{14} \left[ 1 + c_{15} \left[ \left( \frac{x_4}{c_{11}} \right)^{c_{12}} - 1 \right] \right] \\ &\quad [W_{cp} - c_{16}(x_4 - x_1 - x_2 - c_2)] \end{aligned} \quad (1)$$

$$u = I_q, \quad \zeta = I_{st}, \quad W_{cp} = c_{21} \omega_{cp}. \quad (2)$$

The physical quantities that form the state vector  $x$  are

$$x = [x_1 \ x_2 \ x_3 \ x_4]^T = [p_{O_2} \ p_{N_2} \ \omega_{cp} \ p_{sm}]^T$$

where  $p_{O_2}$  and  $p_{N_2}$  represent the oxygen partial pressure and the nitrogen partial pressure, respectively. The compressor speed is denoted by  $\omega_{cp}$  and the supply manifold pressure is denoted by  $p_{sm}$ . The control input  $u$  is the motor current, whereas the fuel cell stack current  $\zeta$  is considered as measurable input disturbance. The compressor airflow is denoted by  $W_{cp}$  and it is proportional to the compressor speed. The parameters  $c_i$  are considered as uncertain constants, decomposed as  $c_i = c_{0i} + \delta c_i$ , where  $c_{0i}$  and  $\delta c_i$  are the nominal value and the uncertainty of  $c_i$ , respectively. Complete details and physical significance of these parameters can be found in [22].

### A. Control Objective

The control problem in the PEMFC system is to ensure a certain excess amount of air in the cathode while minimizing the energy consumed by the air-feed compressor. The oxygen excess ratio can be written as [22]

$$\lambda_{O_2} = \frac{c_{19}}{c_{20} \zeta} (x_4 - x_1 - x_2 - c_2). \quad (3)$$

The net electrical power is optimized by reducing the consumption of the compressor, i.e., maintaining the oxygen excess ratio  $\lambda_{O_2}$  at its reference optimal value  $\lambda_{O_2,ref}$ , which is determined as a function of the stack current  $\zeta$  [22]

$$\lambda_{O_2,ref} = 5 \times 10^{-8} \zeta^3 - 2.87 \times 10^{-5} \zeta^2 + 2.23 \times 10^{-3} \zeta + 2.5. \quad (4)$$

158 Our objective is to force  $\lambda_{O_2}$  to follow  $\lambda_{O_2,ref}$  in finite  
159 time.

### 160 III. HIGHER ORDER SLIDING MODE CONTROLLERS

161 In this section, we will first recall the preliminary formu-  
162 lation of the HOSM control problem and the robust HOSM  
163 controller of [17]. Then, based on the initial findings of [17],  
164 the complete adaptive HOSM controller will be presented. Let  
165 us consider an uncertain nonlinear system

$$166 \begin{cases} \dot{x}(t) = f(x, t) + g(x, t)u \\ y(t) = s(x, t) \end{cases} \quad (5)$$

167 where  $x \in \mathbb{R}^n$  is the state vector and  $u \in \mathbb{R}$  is the control  
168 input. The sliding variable  $s$  is a measured smooth output-  
169 feedback function and  $f(x, t)$  and  $g(x, t)$  are uncertain smooth  
170 functions. It is assumed that the relative degree  $r$  of the  
171 system is globally well defined, uniform, and time-invariant,  
172 and the associated zero dynamics are asymptotically stable [9].  
173 Then, for suitable functions  $\tilde{\varphi}(x, t)$  and  $\tilde{\gamma}(x, t)$ , (5) can be  
174 rewritten as

$$175 y^{(r)}(t) = \tilde{\varphi}(x(t), t) + \tilde{\gamma}(x(t), t)u(t). \quad (6)$$

176 The functions  $\tilde{\gamma}(x(t), t)$  and  $\tilde{\varphi}(x(t), t)$  are assumed to be  
177 bounded by positive constants  $\gamma_m$ ,  $\gamma_M$ , and  $\bar{\varphi}$ , such that

$$178 0 < \gamma_m \leq \tilde{\gamma}(x(t), t) \leq \gamma_M, \quad |\tilde{\varphi}(x(t), t)| \leq \bar{\varphi}. \quad (7)$$

179 Defining  $s^{(i)} := d^i/dt^i y$ , the goal of  $r$ th order SMC is to  
180 arrive at, and keep the following manifold in finite time:

$$181 s^{(0)}(x, t) = s^{(1)}(x, t) = \dots = s^{(r-1)}(x, t) = 0. \quad (8)$$

182 To be more precise, for  $z = [z_1 \ z_2 \ \dots \ z_r]^T := [s \ \dot{s} \ \dots \ s^{(r-1)}]^T$ ,  
183 (8) is equivalent to  $z = 0$ . It is natural to replace (5) with a  
184 more general control system based on (7)

$$185 \begin{aligned} \dot{z}_i &= z_{i+1}, \quad i = 1, \dots, r-1 \\ \dot{z}_r &= \varphi(t) + \gamma(t)u \in I_\varphi + uI_\gamma \end{aligned} \quad (9)$$

187 where the new functions  $\varphi$  and  $\gamma$  are arbitrary measurable  
188 functions, bounded such that

$$189 \varphi(t) \in [-\bar{\varphi}, \bar{\varphi}], \quad \gamma(t) \in [\gamma_m, \gamma_M] \quad (10)$$

190 where  $\bar{\varphi}$ ,  $\gamma_m$ , and  $\gamma_M$  are positive constants. This system  
191 represents a perturbed integrator chain. The objective of this  
192 brief is to design controllers that stabilize (9) to the origin,  
193 ideally in finite time. Since these controllers are to be discon-  
194 tinuous feedback laws  $u = U(z)$ , solutions of (9) need to be  
195 understood here in Filippov sense [23].

#### 196 A. Robust Higher Order Sliding Mode Controller

197 Let us first recall the robust controller [17], which is  
198 designed to (9), assuming that the bounds  $\bar{\varphi}$ ,  $\gamma_m$ , and  
199  $\gamma_M$  are known. This controller has been derived from a  
200 class of Lyapunov-based controllers that guarantee finite-  
201 time stabilization of pure chain of integrators ( $\varphi \equiv 0$   
202 and  $\gamma \equiv 1$ ) [24], and satisfy certain additional geometric  
203 conditions. Let us consider that the initial states of the system  
204 are in a neighborhood of origin,  $\hat{U} \subset \mathbb{R}^r$ . Then, the main  
205 result of [17] is given as follows.

*Theorem 1:* If there exists a controller  $u_0(z)$  that stabilizes  
a pure integrator chain in finite time and there exists a  $C^1$   
function  $V_1$  defined on the neighborhood  $\hat{U} \subset \mathbb{R}^r$ , such that:

- 1)  $\dot{V}_1 + cV_1^\alpha(z(t)) \leq 0$ , if  $z(t) \in \hat{U}$ ;
- 2)  $\frac{\partial V_1}{\partial z_r} u_0 \leq 0$ ;
- 3)  $u_0 = 0 \Rightarrow \frac{\partial V_1}{\partial z_r} = 0$ .

Then, the following control law establishes HOSM on (9) with  
respect to  $s$ :

$$u = \frac{1}{\gamma_m} (u_0 + \bar{\varphi} \text{sign}(u_0)). \quad (11)$$

The detailed proof of this theorem can be found in [17].  
It can be verified that many controllers, such as those  
of [25] and [26], fulfill the conditions demanded in Theorem 2.  
For the rest of this brief, we consider Hong's controller [25],  
which is defined as follows.

Let  $k < 0$  and  $l_1, \dots, l_r$  positive real numbers and  $|a|^\theta :=$   
 $|a|^\theta \text{sign}(a)$ ,  $\forall a \in \mathbb{R}, \theta > 0$ . For  $z = (z_1, \dots, z_r)$ , we define  
for  $i = 0, \dots, r-1$

$$182 \begin{aligned} p_i &= 1 + (i-1)k \\ v_0 &= 0, \quad v_{i+1} = -l_{i+1} [|z_{i+1}|^{\beta_i} - |v_i|^{\beta_i}]^{\alpha_{i+1}/\beta_i} \end{aligned} \quad (12)$$

where  $\alpha_i = p_{i+1}/p_i$ , for  $i = 1, \dots, r$ , and, for  $k < 0$  suffi-  
ciently small, we have  $\beta_0 = p_2$ ,  $(\beta_i + 1)p_{i+1} = \beta_0 + 1 > 0$ ,  
 $i = 1, \dots, r-1$ .

#### 182 B. Adaptive Controller

Let us now consider the case where uncertainty bounds  
 $\gamma_m$ ,  $\gamma_M$ , and  $\bar{\varphi}$  of (9) are unknown. In [17], this problem  
was partially solved and a controller was developed which  
could function without any explicit knowledge of  $\bar{\varphi}$ . We now  
present a complete arbitrary HOSM controller that can be  
designed without the knowledge of bounds of either uncertain  
function. Let us first define  $\sigma(a)$  as the standard saturation  
function,  $\sigma(a) = (a/\max(1, |a|))$ ,  $a \in \mathbb{R}$ . For  $\varepsilon > 0$ ,  $a \in \mathbb{R}$ ,  
we define

$$v_\varepsilon(a) = \frac{1}{2} + \frac{1}{2} \sigma \left( \frac{|a| - \frac{3}{4}\varepsilon}{\frac{1}{4}\varepsilon} \right).$$

We now propose the following controller:

$$u = \hat{\gamma} u_0(z) + \hat{\varphi} \text{sign}(u_0(z)) \quad (13)$$

where  $u_0$  is a homogeneous controller, as defined  
in Theorem 1. The adaptive function  $\hat{\gamma} = \kappa + \delta|u_0(z)|$   
and  $\hat{\varphi}(t)$  is defined by the ordinary differential  
equation

$$\dot{\hat{\varphi}}(t) = kv_\varepsilon(V_1(z)) - (1 - v_\varepsilon(V_1(z))) [\hat{\varphi}]^\eta$$

with the initial condition  $\hat{\varphi}(0) = 0$ . The new terms are defined  
as  $\kappa, \delta > 0$ ,  $\eta \in (0, 1)$ ,  $k > 0$ , and  $V_1$  is a homogeneous  
Lyapunov function which also satisfies Theorem 1. The  
following theorem provides the main result for the adaptive  
controller.

*Theorem 2:* Consider (9) under the feedback control  
law (13). Then,  $\forall \varepsilon, \exists c' > 0$  and  $0 < \alpha' < 1$  such that  
the following conditions are satisfied for any initial condition  
 $z_0 \in \hat{U}$ .

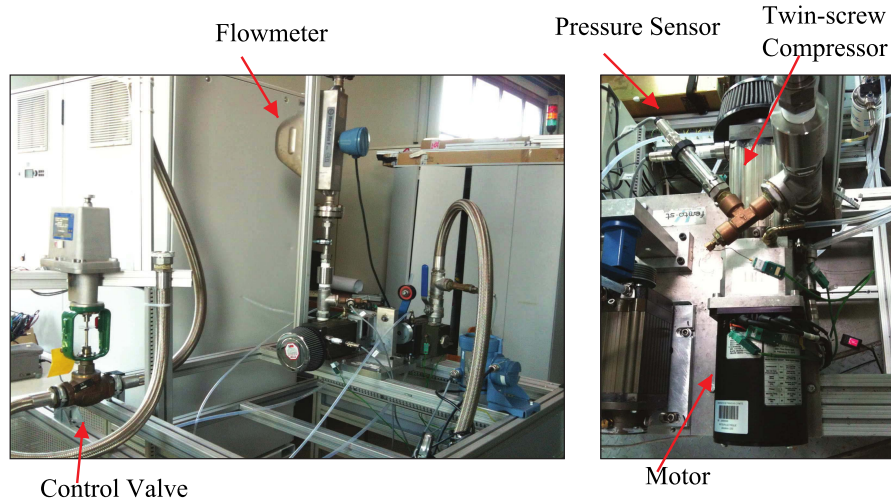


Fig. 2. Test bench.

AQ:3 250 1)  $\liminf_{t \rightarrow \infty} V_1(z(t)) \leq \varepsilon$ ,  $\limsup_{t \rightarrow \infty} V_1(z(t)) \leq \Delta$ .  
 251 2)  $\limsup_{t \rightarrow \infty} |\hat{\phi}| \leq 2\bar{\Phi} + k(\Delta^{1-\alpha}/(c(1-\alpha)))$

252 where

253 
$$\bar{\Phi} := \frac{1}{\gamma_m} \left( \bar{\varphi} + \frac{(\kappa\gamma_m - 1)^2}{4\gamma_m\delta} \right)$$
  
 254 
$$\Delta := \left( \varepsilon^{1-\alpha'} + \frac{c'(1-\alpha')\gamma_m}{2k} \bar{\Phi}^2 \right)^{\frac{1}{1-\alpha'}}$$

255 *Proof of Theorem 2:* We first demonstrate that the controller  
 256 brings the system states from any domain  $V_1 > \varepsilon$  to the  
 257 domain  $V_1 \leq \varepsilon$  in finite time. Then, it is proved that once  
 258  $z$  reaches the domain  $V_1 \leq \varepsilon$ , it stays in the domain  $V_1 \leq \Delta$   
 259 for all consecutive time instances and  $\hat{\phi}$  is upper bounded after  
 260 a sufficiently large time.

261 *Lemma 1 [17]:* The function  $\hat{\phi}$  is non-negative and is  
 262 defined as long as the trajectory of  $z$  is defined.

263 Now, let us use contradiction again, to show  
 264  $\liminf_{t \rightarrow \infty} V_1(z(t)) \leq \varepsilon$ . Supposing that there exists  $\bar{t}$   
 265 such that  $V_1(t) > \varepsilon$  for every  $t \geq \bar{t}$ , then according to the  
 266 dynamics of  $\hat{\phi}$ , we get  $\dot{\hat{\phi}} = k$  for  $t \geq \bar{t}$ . This implies that  
 267 for  $t \geq \bar{t}$ ,  $\hat{\phi}$  is increasing and  $\hat{\phi} > \bar{\Phi}$ . The derivative of the  
 268 Lyapunov function is

269 
$$\begin{aligned} \dot{V}_1 &= \frac{\partial V_1}{\partial z_1} z_2 + \dots + \frac{\partial V_1}{\partial z_r} (\gamma [\hat{y} u_0 + \hat{\phi} \text{sign}(u_0)] + \varphi) \\ &= \frac{\partial V_1}{\partial z_1} z_2 + \dots + \frac{\partial V_1}{\partial z_r} u_0 + \frac{\partial V_1}{\partial z_r} \\ &\quad \times (-u_0 + \kappa\gamma u_0 + \gamma\delta |u_0|^2 + \gamma\hat{\phi} \text{sign}(u_0) + \varphi) \\ &\leq -cV_1^\alpha - \left| \frac{\partial V_1}{\partial z_r} \right| \left( (\kappa\gamma_m - 1)|u_0| + \gamma_m\delta |u_0|^2 + \gamma_m\hat{\phi} - \bar{\varphi} \right) \\ &\leq -cV_1^\alpha - \gamma_m \left| \frac{\partial V_1}{\partial z_r} \right| (\hat{\phi} - \bar{\Phi}) \leq -cV_1^\alpha \end{aligned} \quad (14)$$

274 then,  $V_1(z)$  converges to zero in finite time, which contradicts  
 275 the hypothesis. The functions  $u_0$  and  $V_1$  are homogeneous,  
 276 which according to [27], means that  $\exists c', \alpha' > 0 : |\partial V_1 / \partial z_r| \leq$   
 277  $c' V_1^{\alpha'}$ , where  $c' = \max_{\{z: V_1(z)=1\}} |\partial V_1 / \partial z_r|$ ,  $\alpha' = \kappa_2 / \kappa_1$ . The  
 278 terms  $\kappa_2$  and  $\kappa_1$  are the respective degrees of homogeneity  
 279 of  $\partial V_1 / \partial z_r$  and  $V_1$ . We suppose now that  $V_1 < \varepsilon$ . Let us

estimate the overshoot in the worst case condition with respect  
 to uncertainty. For  $V_1(z(0)) = \varepsilon$  and  $\hat{\phi}(0) = 0$ , we get

282 
$$\dot{V}_1 \leq -cV_1^\alpha - \gamma_m c' V_1^{\alpha'} (\hat{\phi} - \bar{\Phi}), \quad \dot{\hat{\phi}} = k. \quad (15)$$

283 The overshoot  $\Delta$  of  $V_1$  holds for  $\dot{V}_1 = 0$  at  $t = T_M$ . We get  
 284  $\hat{\phi}(T_M) = \bar{\Phi} - c\Delta^{\alpha-\alpha'} / c'\gamma_m \leq \bar{\Phi}$ , and then  $T_M \leq \bar{\Phi} / k$ .  
 285 An upper bound of  $\Delta$  can be estimated as

286 
$$\Delta = \left( \varepsilon^{1-\alpha'} + \frac{c'(1-\alpha')\gamma_m}{2k} \bar{\Phi}^2 \right)^{\frac{1}{1-\alpha'}}$$

287 For an upper bound of  $\limsup_{t \rightarrow \infty} \hat{\phi}$ , consider the case  
 288  $V_1(z(0)) = \varepsilon$  with  $\dot{V}_1(z(0)) \geq 0$ , in this case we have  
 289  $\hat{\phi}(0) < \bar{\Phi}$ . For  $t = T_M$ , i.e.,  $\dot{V}_1 = 0$ , we get  $\hat{\phi}(T_M) \leq$   
 290  $\bar{\Phi} + \hat{\phi}(0) \leq 2\bar{\Phi}$ .  $\hat{\phi}$  will increase until time  $T_f$  where  
 291  $\dot{\hat{\phi}}(T_f) = 0$  and  $V_1(z(T_f)) \geq 0$ . The worst case is calculated  
 292 with respect to the boundary of  $\hat{\phi}$ , using  $\dot{V}_1 \leq -cV_1^\alpha$   
 293 and  $\dot{\hat{\phi}} = k$ . Here,  $T_f$  corresponds to  $V_1(z(T_f)) = 0$ ,  
 294 i.e.,  $T_f T_M = (\Delta^{1-\alpha}) / (c(1-\alpha))$ , which implies that  
 295  $\hat{\phi}(T_f) \leq \hat{\phi}(T_M) + k(T_f T_M) = 2\bar{\Phi} + k\Delta^{(1-\alpha)}/c(1-\alpha)$ .  $\square$

296 *Remark 1:* The second inequality of 1) of Theorem 2 is  
 297 equivalent to Levant's concept of real HOSM [28], defined as

298 
$$\exists t_1 > 0 : \forall t > t_1, |z_i(t)| \leq \mu_i, \quad i = 1, \dots, r-1$$

299 where  $\mu_i$  is an arbitrarily small positive number. This is  
 300 equivalent to practical stability of  $z_1, \dots, z_r$ .

#### 301 IV. DESIGN AND IMPLEMENTATION

302 Let us now turn toward design of the robust and adaptive  
 303 controllers presented in Section III, for PEMFC air-feed  
 304 system application. As mentioned previously, third-order  
 305 controllers will be designed in order to obtain a smooth  
 306 current profile. The test bench is described first in order to  
 307 present a physical outlook of the system under consideration.  
 308 Then, the designed controllers and experimental results are  
 309 presented.

##### 310 A. Test Bench Description

311 The experiments have been conducted on a HIL test bench,  
 312 presented in Figs. 2 and 3. This bench consists of a twin-  
 313 screw compressor air-feed system coupled with a real time

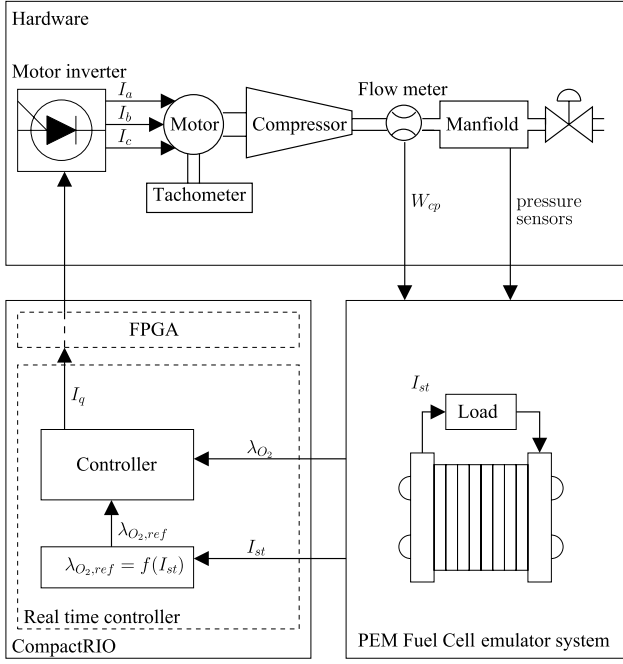


Fig. 3. HIL simulator.

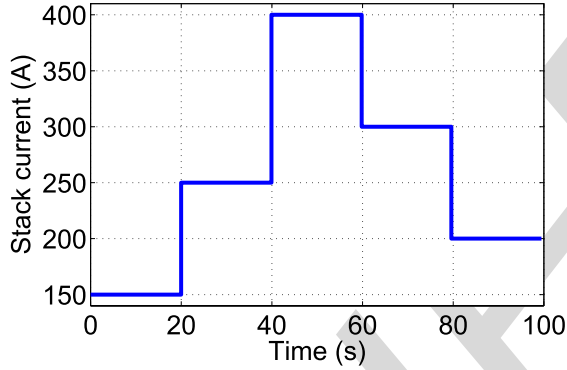


Fig. 4. Stack current (A).

33-kW fuel cell emulator. The twin-screw compressor is driven by a permanent magnet synchronous motor (PMSM). The three-phase currents of PMSM are calculated from  $dq$  coordinates and supplied by an inverter. The control input  $I_q$  is generated by the proposed controllers installed in a real-time controller and fed to the inverter. The measured compressor airflow  $W_{cp}$  is fed to the real-time fuel cell emulation system. The PEMFC emulator receives the flow rate  $W_{cp}$ , in order to generate the states  $x_1$ ,  $x_2$ ,  $x_4$ , and  $\lambda_{O_2}$  (see Section II for physical description of the states). Its physical parameters can be varied to emulate the effect of external operating conditions on the fuel cell. The output load is simulated as variable stack current steps between 150 and 400 A, in steps. The load profile used in the tests for this brief is shown in Fig. 4.

### B. Controller Design and Experimental Results

Let us consider (1) and the equations of  $\lambda_{O_2}$  and  $\lambda_{O_2,ref}$ , i.e., (3) and (4). The system parameters are given in [22]. The sliding variable is defined as  $z_1 = s = \lambda_{O_2} - \lambda_{O_2,ref}$ .

In our case, the sliding variable  $s$  depends on  $x_1$ ,  $x_2$ , and  $x_4$ . The first and second time derivative of  $s$  are

$$\begin{aligned} \dot{s} = z_2 &= \frac{\partial}{\partial x_1} s(x_1, x_2, x_4) \cdot \dot{x}_1(x_1, x_2, x_4) \\ &+ \frac{\partial}{\partial x_2} s(x_1, x_2, x_4) \cdot \dot{x}_2(x_1, x_2, x_4) \\ &+ \frac{\partial}{\partial x_4} s(x_1, x_2, x_4) \cdot \dot{x}_4(x_1, x_2, x_3, x_4) \\ \ddot{s} = z_3 &= \frac{\partial}{\partial x_1} \dot{s}(x_1, x_2, x_3, x_4) \cdot \dot{x}_1(x_1, x_2, x_4) \\ &+ \frac{\partial}{\partial x_2} \dot{s}(x_1, x_2, x_4) \cdot \dot{x}_2(x_1, x_2, x_4) \\ &+ \frac{\partial}{\partial x_3} \dot{s}(x_1, x_2, x_3, x_4) \cdot \dot{x}_3(x_3, x_4, u) \\ &+ \frac{\partial}{\partial x_4} \dot{s}(x_1, x_2, x_3, x_4) \cdot \dot{x}_4(x_1, x_2, x_3, x_4). \end{aligned}$$

The control input  $u$  appears for the first time in the second time derivative of  $s$ . To obtain a continuous control  $u$ , the discontinuous control is applied on the higher derivative  $\dot{u}$ . We get

$$s^{(3)} = \dot{z}_3 = \underbrace{\dot{\phi} + \dot{\gamma} u + \gamma v}_{\Phi}$$

where  $v = \dot{u}$ ,  $\Phi$ , and  $\gamma$  are uncertain bounded functions that satisfy

$$\Phi \in [-\bar{\phi}, \bar{\phi}], \quad \gamma \in [\gamma_m, \gamma_M]. \quad (16)$$

For the PEMFC under consideration, the bounding values of the parameters were determined as percentage deviations through precise physical analyses. The numerical values of the uncertainty limits were obtained as  $\bar{\phi} = 0.03$ ,  $\gamma_m = 5$ , and  $\gamma_M = 15$ .

From here, the control objective becomes equivalent to forcing  $s$ , and its first and second time derivatives to zero in finite time, through  $s^{(3)} \in [-\bar{\phi}, \bar{\phi}] + [\gamma_m, \gamma_M]v$ . We first develop a third-order SMC robust controller using (11) and (12). According to Theorem 1, the controller takes the following structure:

$$\begin{aligned} v_1 &= -l_1 |s|^{\alpha_1} \\ v_2 &= -l_2 [|\dot{s}|^{\beta_1} - |v_1|^{\beta_1}]^{\alpha_2/\beta_1} \\ v_3 &= -l_3 [|\ddot{s}|^{\beta_2} - |v_2|^{\beta_2}]^{\alpha_3/\beta_2} \\ v &= \dot{u} = \frac{1}{\gamma_m} (v_3 + \bar{\phi} \text{sign}(v_3)). \end{aligned} \quad (17)$$

In this test, the parameters have been tuned to the following values:  $l_1 = 5$ ,  $l_2 = 10$ ,  $l_3 = 40$ ,  $\beta_0 = 0.8$ ,  $\beta_1 = 1.25$ ,  $\beta_2 = 2$ ,  $\alpha_1 = 4/5$ ,  $\alpha_2 = 3/4$ ,  $\alpha_3 = 2/3$ ,  $\gamma_m = 5$ ,  $\bar{\phi} = 0.03$ .

The load variations (Fig. 4) result in changes in  $\lambda_{O_2,ref}$ , according to (4). The performance of the robust controller with respect to these changes is shown in Fig. 5. It can be seen in Fig. 5(a) that  $\lambda_{O_2}$  tracks  $\lambda_{O_2,ref}$  successfully with a response time between 3 and 7 s practically. The control input ( $I_q$ ) is shown in Fig. 5(b), it varies between 0 and 3 A. As the controller establishes third-order HOSM, the oscillations in  $I_q$  are negligible and it has a smooth profile.

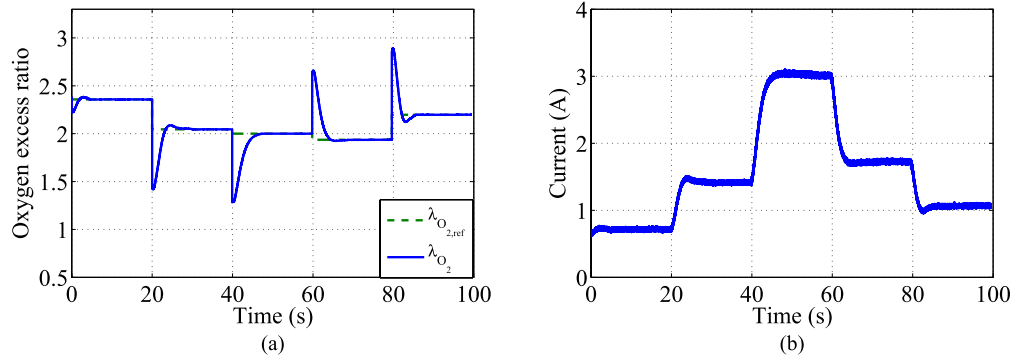


Fig. 5. Robust controller. (a)  $\lambda_{O_2}$ . (b)  $I_q$ .

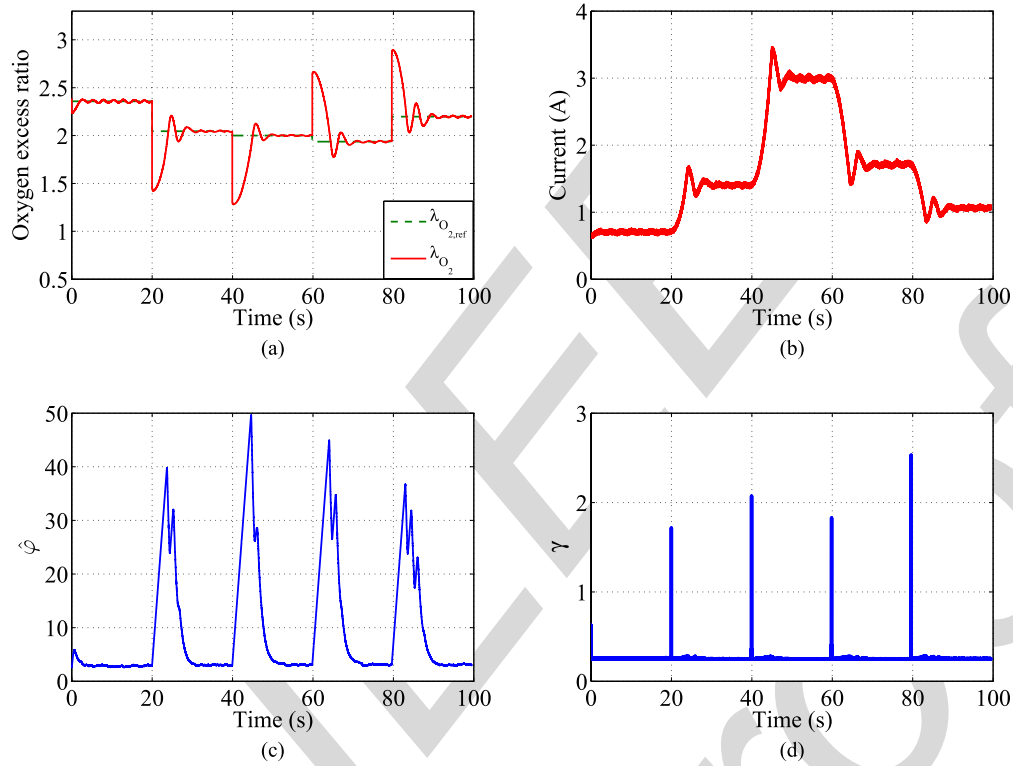


Fig. 6. Adaptive controller. (a)  $\lambda_{O_2}$ . (b)  $I_q$ . (c)  $\hat{\phi}$ . (d)  $\hat{\gamma}$ .

377 We will now demonstrate the proposed adaptive controller  
 378 for the same problem, assuming that we have no knowledge  
 379 of the uncertainty bounds. The third-order SMC adaptive  
 380 controller is designed using (12) and (13). According  
 381 to Theorem 3, the controller has the following structure:

$$v = \dot{u} = \hat{\gamma} v_3 + \hat{\phi} \text{sign}(v_3) \quad (18)$$

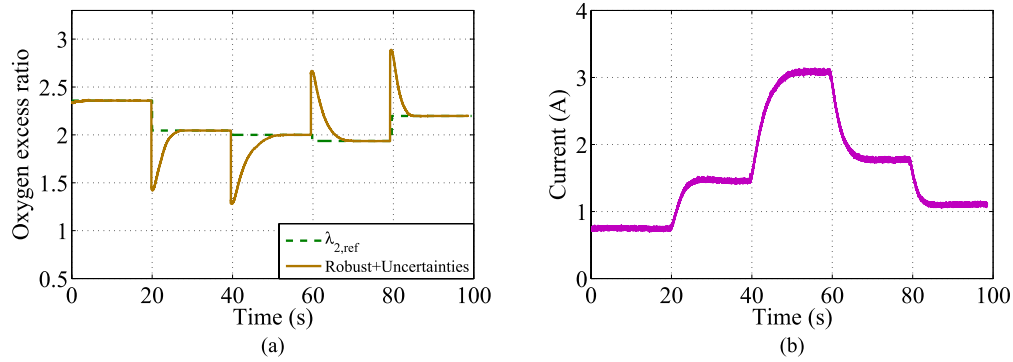
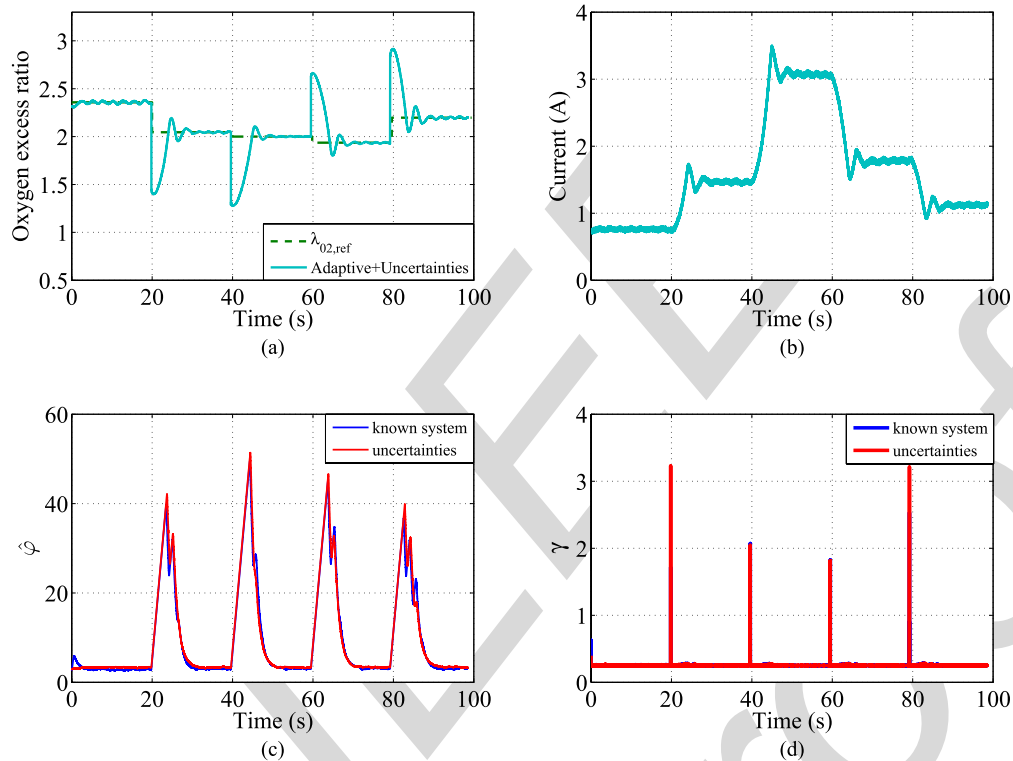
383 where  $v_3$  is the same as in (17). The controller  
 384 parameters used in adaptive case are as follows:  $l_1 = 5$ ,  
 385  $l_2 = 10$ ,  $l_3 = 40$ ,  $\beta_0 = 0.8$ ,  $\beta_1 = 1.25$ ,  $\beta_2 = 2$ ,  
 386  $\alpha_1 = 4/5$ ,  $\alpha_2 = 3/4$ ,  $\alpha_3 = 2/3$ ,  $k = 5$ ,  $\eta = 0.95$ ,  
 387  $\varepsilon = 0.001$ ,  $\kappa = 0.25$ ,  $\delta = 0.001$ .

388 The results of the adaptive controller are shown in Fig. 6.  
 389 Fig. 6(a) shows that  $\lambda_{O_2}$  converges and remains inside a small  
 390 and acceptable neighborhood around the desired value  $\lambda_{O_2,ref}$ .  
 391 The control input,  $I_q$  is shown in Fig. 6(b) and the behaviors of  
 392 the adaptive parameters  $\hat{\phi}$  and  $\hat{\gamma}$  are shown in Fig. 6(c) and (d),

respectively. It can be seen that  $\hat{\phi}$  increases at each stack  
 current step, and then decreases rapidly after the convergence  
 of the tracking error. As ideal sliding mode cannot be achieved  
 in this case, small oscillations can be seen in  $\hat{\gamma}$ . In general,  
 these results show the effectiveness of both the robust and  
 adaptive controllers for a wide range of stack current variation,  
 i.e., external perturbation.

To demonstrate the robustness of our controllers in dealing  
 with parametric uncertainty, another series of experiments was  
 conducted, in which the parameters of the PEMFC emulator  
 were varied to their extreme values [22]. The designed  
 controllers were again tested with the same controller  
 parameters as determined before. The results of the robust  
 controller in these tests are shown in Fig. 7. The system  
 response in Fig. 7(a) and the control input in Fig. 7(b)  
 show that this controller performs as well as in the previous  
 tests with defined system parameter values. The results of

393  
 394  
 395  
 396  
 397  
 398  
 399  
 400  
 401  
 402  
 403  
 404  
 405  
 406  
 407  
 408  
 409

Fig. 7. Robust controller (parametric shift). (a)  $\lambda_{O_2}$ . (b)  $I_q$ .Fig. 8. Adaptive controller (parametric shift). (a)  $\lambda_{O_2}$ . (b)  $I_q$ . (c)  $\hat{\phi}$ . (d)  $\hat{\gamma}$ .

the adaptive controller are shown in Fig. 8. We see again in Fig. 8(a) a similar behavior of tracking error as compared with the previous tests. However, the static value of the quadratic current [Fig. 8(b)] changes in order to accommodate the emulated parametric drift. The adaptive gains  $\hat{\phi}$  and  $\hat{\gamma}$  adapt to counteract the uncertainty, ensuring convergence, as seen in Fig. 8(c) and (d). These tests demonstrate that both the robust and adaptive controllers are capable of handling parametric uncertainty, albeit with different mechanisms.

## V. CONCLUSION

In this brief, the control problem of PEMFC air-feed system was addressed using two arbitrary HOSM controllers associated with the finite-time stabilization of a perturbed chain of integrators with bounded uncertainty. The design of the first controller requires the knowledge of the uncertainty bounds. The second controller is adaptive and its design does not require any quantitative knowledge of the uncertainty bounds.

The arbitrary order nature of controllers permitted to extend the air-feed system from second to third order, resulting in continuous input current profile. The proposed controllers showed good performance in simulation and in experiments conducted on a PEMFC air-feed test bench.

## REFERENCES

- [1] J. T. Pukrushpan, A. G. Stefanopoulou, and H. Peng, *Control of Fuel Cell Power Systems: Principles, Modeling, Analysis and Feedback Design*. New York, NY, USA: Springer-Verlag, 2004.
- [2] A. Y. Karnik, A. G. Stefanopoulou, and J. Sun, "Water equilibria and management using a two-volume model of a polymer electrolyte fuel cell," *J. Power Sour.*, vol. 164, no. 2, pp. 590–605, 2007.
- [3] A. Vahidi, I. Kolmanovsky, and A. Stefanopoulou, "Constraint handling in a fuel cell system: A fast reference governor approach," *IEEE Trans. Control Syst. Technol.*, vol. 15, no. 1, pp. 86–98, Jan. 2007.
- [4] S. V. Emel'yanov, S. K. Korovin, and A. Levant, "High-order sliding modes in control systems," *Comput. Math. Model.*, vol. 7, no. 3, pp. 294–318, 1996.
- [5] V. I. Utkin, *Sliding Modes in Control and Optimization*. Berlin, Germany: Springer-Verlag, 1992.



- 447 [6] A. Levant, "Universal single-input-single-output (SISO) sliding-mode  
448 controllers with finite-time convergence," *IEEE Trans. Autom. Control*,  
449 vol. 46, no. 9, pp. 1447–1451, Sep. 2001.
- 450 [7] A. Levant, "Homogeneity approach to high-order sliding mode design,"  
451 *Automatica*, vol. 41, no. 5, pp. 823–830, 2005.
- 452 [8] M. Defoort, T. Floquet, A. Kokosy, and W. Perruquetti, "A novel higher  
453 order sliding mode control scheme," *Syst. Control Lett.*, vol. 58, no. 2,  
454 pp. 102–108, 2009.
- 455 [9] F. Dinuzzo and A. Ferrara, "Higher order sliding mode controllers  
456 with optimal reaching," *IEEE Trans. Autom. Control*, vol. 54, no. 9,  
457 pp. 2126–2136, Sep. 2009.
- 458 [10] Y.-J. Huang, T.-C. Kuo, and S.-H. Chang, "Adaptive sliding-mode  
459 control for nonlinear systems with uncertain parameters," *IEEE Trans.*  
460 *Syst., Man, Cybern. B, Cybern.*, vol. 38, no. 2, pp. 534–539,  
461 Apr. 2008.
- 462 [11] F. Plestan, Y. Shtessel, V. Brégeault, and A. Poznyak, "New methodolo-  
463 gies for adaptive sliding mode control," *Int. J. Control*, vol. 83, no. 9,  
464 pp. 1907–1919, 2010.
- 465 [12] F. Plestan, Y. Shtessel, V. Brégeault, and A. Poznyak, "Sliding mode  
466 control with gain adaptation—Application to an electropneumatic  
467 actuator," *Control Eng. Pract.*, vol. 21, no. 5, pp. 679–688, 2013.
- 468 [13] Y. Shtessel, M. Taleb, and F. Plestan, "A novel adaptive-gain super-twist-  
469 ing sliding mode controller: Methodology and application," *Automatica*,  
470 vol. 48, no. 5, pp. 759–769, 2011.
- 471 [14] A. Dávila, J. A. Moreno, and L. Fridman, "Variable gains super-twisting  
472 algorithm: A Lyapunov based design," in *Proc. Amer. Control Conf.*,  
473 Baltimore, MD, USA, Jun./Jul. 2010, pp. 968–973.
- 474 [15] M. Taleb, A. Levant, and F. Plestan, "Pneumatic actuator control:  
475 Solution based on adaptive twisting and experimentation," *Control Eng.*  
476 *Pract.*, vol. 21, no. 5, pp. 727–736, 2013.
- 477 [16] A. Glumineau, Y. B. Shtessel, and F. Plestan, "Impulsive-sliding mode  
478 adaptive control of second order system," in *Proc. 18th IFAC World*  
479 *Congr.*, Milan, Italy, Aug./Sep. 2011, pp. 5389–5394.
- 480 [17] M. Harmouche, S. Laghrouche, and Y. Chitour, "Robust and adaptive  
481 higher order sliding mode controllers," in *Proc. 51st IEEE Conf.*  
482 *Decision, Control, Eur. Control Conf.*, Orlando, FL, USA, Dec. 2012,  
483 pp. 6436–6441.
- 484 [18] W. Gracia-Gabin, F. Dorado, and C. Bordons, "Real-time imple-  
485 mentation of a sliding mode controller for air supply on a PEM  
486 fuel cell," *J. Process Control*, vol. 20, no. 3, pp. 325–336,  
487 2010.
- 488 [19] C. Kunusch, P. F. Puleston, M. A. Mayosky, and J. Riera, "Sliding  
489 mode strategy for PEM fuel cells stacks breathing control using a super-  
490 twisting algorithm," *IEEE Trans. Control Syst. Technol.*, vol. 17, no. 1,  
491 pp. 167–174, Jan. 2009.
- 492 [20] I. Matraji, S. Laghrouche, and M. Wack, "Cascade control of the moto-  
493 compressor of a PEM fuel cell via second order sliding mode," in *Proc.*  
494 *50th IEEE Conf. Decision, Control, Eur. Control Conf. (CDC-ECC)*,  
495 Dec. 2011, pp. 633–638.
- 496 [21] C. Kunusch, P. F. Puleston, M. A. Mayosky, and L. Fridman, "Exper-  
497 imental results applying second order sliding mode control to a PEM  
498 fuel cell based system," *Control Eng. Pract.*, vol. 21, no. 5, pp. 719–726,  
499 2013.
- 500 [22] I. Matraji, S. Laghrouche, S. Jemei, and M. Wack, "Robust control  
501 of the PEM fuel cell air-feed system via sub-optimal second  
502 order sliding mode," *Appl. Energy*, vol. 104, pp. 945–957,  
503 Apr. 2013.
- 504 [23] A. F. Filippov, *Differential Equations with Discontinuous Righthand*  
505 *Sides*. Dordrecht, The Netherlands: Kluwer, 1988.
- 506 [24] S. P. Bhat and D. S. Bernstein, "Finite-time stability of continu-  
507 ous autonomous systems," *SIAM J. Control Optim.*, vol. 38, no. 3,  
508 pp. 751–766, 2000.
- 509 [25] Y. Hong, "Finite-time stabilization and stabilizability of a class of  
510 controllable systems," *Syst. Control Lett.*, vol. 46, no. 4, pp. 231–236,  
511 2002.
- 512 [26] X. Huang, W. Lin, and B. Yang, "Global finite-time stabilization  
513 of a class of uncertain nonlinear systems," *Automatica*, vol. 41, no. 5,  
514 pp. 881–888, 2005.
- 515 [27] S. P. Bhat and D. S. Bernstein, "Geometric homogeneity with appli-  
516 cations to finite-time stability," *Math. Control, Signals, Syst.*, vol. 17,  
517 no. 2, pp. 101–127, 2005.
- 518 [28] A. Levant, "Sliding order and sliding accuracy in sliding  
519 mode control," *Int. J. Control*, vol. 58, no. 6, pp. 1247–1263,  
520 1993.

AQ:4

AQ:5