



HAL
open science

Control of PEMFC Air-Feed System using Lyapunov-based Robust and Adaptive Higher Order Sliding ModeControl

Salah Laghrouche, M. Harmouche, F.S. Ahmed, Yacine Chitour

► **To cite this version:**

Salah Laghrouche, M. Harmouche, F.S. Ahmed, Yacine Chitour. Control of PEMFC Air-Feed System using Lyapunov-based Robust and Adaptive Higher Order Sliding ModeControl. *IEEE Transactions on Control Systems Technology*, 2015, 23 (4), pp.1594-1601. 10.1109/test.2014.2371826 . hal-01271294

HAL Id: hal-01271294

<https://centralesupelec.hal.science/hal-01271294>

Submitted on 3 Apr 2020

HAL is a multi-disciplinary open access archive for the deposit and dissemination of scientific research documents, whether they are published or not. The documents may come from teaching and research institutions in France or abroad, or from public or private research centers.

L'archive ouverte pluridisciplinaire **HAL**, est destinée au dépôt et à la diffusion de documents scientifiques de niveau recherche, publiés ou non, émanant des établissements d'enseignement et de recherche français ou étrangers, des laboratoires publics ou privés.

Control of PEMFC Air-Feed System Using Lyapunov-Based Robust and Adaptive Higher Order Sliding Mode Control

Salah Laghrouche, Mohamed Harmouche, Fayez Shakil Ahmed, and Yacine Chitour

Abstract—In this brief, we present Lyapunov-based robust and adaptive higher order sliding mode (HOSM) controllers for the air-feed system of polymer electrolyte membrane fuel cells, which is a nonlinear single-input, single-output system with bounded uncertainty. The system consists of a motorized compressor, which is driven at its optimal point in order to minimize the internal energy consumption of the system. This brief provides an experimental demonstration of the applicability of the recently developed fixed-gain robust controller and adaptive controller for this problem. Third-order controllers are developed in order to obtain a continuous profile for the input current of the compressor motor. In this regard, a complete adaptive arbitrary HOSM control has been presented for the first time, with Lyapunov-based proof. A performance comparison between the two controllers is presented in the end.

Index Terms—Adaptive control, finite time stabilization, higher order sliding mode (HOSM), Lyapunov analysis, polymer electrolyte membrane fuel cell (PEMFC), robust control.

I. INTRODUCTION

FUEL cells and their auxiliary systems pose challenging control problems, as they are typically nonlinear and difficult to characterize. They require robust or adaptive control methods, as their physical parameters are uncertain, varying with operating conditions and environmental effects. One important control problem in polymer electrolyte membrane fuel cell (PEMFC) systems is the minimization of the power consumed internally by their air-feed systems, in order to maximize the net power output. In particular, a PEMFC needs a sufficient quantity of excess air (oxygen excess) in its cathode in order to respond to load variations and transitions without damaging itself [1]. On the other hand, it has been established that the power consumption of air-feed compressors is the highest among all auxiliary systems of the fuel cell, rising up to 20% of the total PEMFC

power output [1]. Therefore, the air-feed system requires precise control for running the compressor at its optimal operating point, thereby maximizing the net power output of the fuel cell while keeping the oxygen excess ratio high enough for proper operation [2], [3].

Higher order sliding mode control (HOSMC) [4] is a well-established control strategy for uncertain nonlinear systems, as it is insensitive to parametric uncertainty and external disturbance. Unlike classical sliding mode, HOSMC does not suffer from high-frequency chattering because the characteristic discontinuous control [5] acts upon a higher derivative of the sliding variable. If the bounds of parametric uncertainty in the system are known, then fixed-gain HOSM controllers can be designed with relative ease. However, this is usually difficult in practical cases, as the estimation of uncertainty bounds requires rigorous experimentation in worst case conditions. In these cases, adaptive-gain (or simply adaptive) controllers provide a successful means of controlling the system through dynamically adapting gains. However, these controllers ensure practical convergence only, i.e., to a neighborhood of the origin. Many fixed-gain arbitrary robust HOSMC algorithms exist in contemporary literature, prominent examples being [6]–[9]. Huang *et al.* [10] were the first to use dynamic gain adaptation in SMC for the problem of unknown uncertainty bound, following [11] and [12]. Other works in this domain include [13]–[16]. These contributions remain limited to first- and second-order sliding mode. Initial findings on Lyapunov-based robust and (partial) adaptive arbitrary HOSMC were recently presented in [17].

Sliding mode controllers have been studied for PEMFC air-feed system control as well in [18]–[20], and two important examples of second-order SMC (SOSMC) are [21] and [22]. In the former, the oxygen excess ratio is assumed to have a static relationship with the compressor flow rate, and the compressor is controlled using SOSMC. In the latter, the authors have proposed a dual loop Cascade SOSMC controller, which address the compressor speed reference and current control individually. This approach is more practical as both the control loops are robust; however, its implementation requires different loop rates for controllers. Approaching this problem by third-order-sliding-mode-based oxygen excess ratio controllers appears to be a better approach in comparison with both these methods, as third-order extension results in continuous current control of the motocompressor. Adaptive third-order controllers would provide further ease in control design as precise parameters of the otherwise complex system need not be known.

Manuscript received January 15, 2014; revised July 7, 2014; accepted October 8, 2014. Manuscript received in final form November 13, 2014. This work was supported by the iCODE Institute through the Research Project of Idex Paris-Saclay. Recommended by Associate Editor A. Zolotas.

S. Laghrouche is with the Laboratoire OPERA, Université de Technologie de Belfort-Montbéliard, Belfort 90010, France (e-mail: salah.laghrouche@utbm.fr).

M. Harmouche is with Actility, Paris 75899, France (e-mail: mohamed.harmouche@actility.com).

F. S. Ahmed is with the Laboratoire d'Automatique et de Génie des Procédés, Université Claude Bernard Lyon 1, Villeurbanne F-69622, France (e-mail: fahmed@lagep.univ-lyon1.fr).

Y. Chitour is with the Laboratoire des Signaux et Systèmes, Université Paris XI, Gif-sur-Yvette 91192, France (e-mail: yacine.chitour@lss.supelec.fr).

Color versions of one or more of the figures in this paper are available online at <http://ieeexplore.ieee.org>.

Digital Object Identifier 10.1109/TCST.2014.2371826

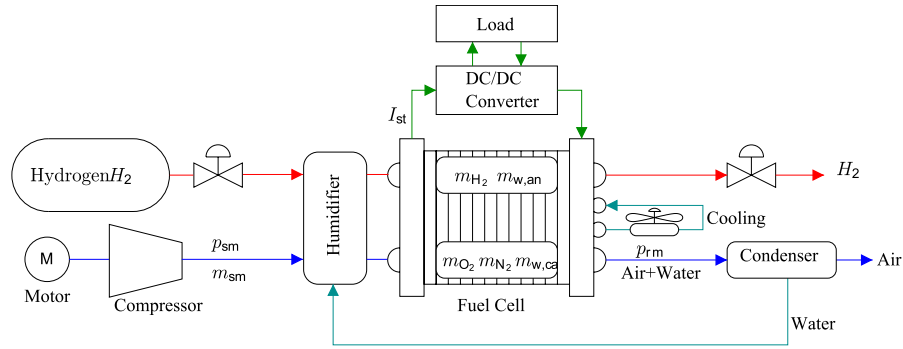


Fig. 1. Fuel cell air-feed system.

In this brief, the robust and adaptive approaches of [17] are extended and applied to the HOSM control of the PEMFC air-feed systems. The objective is to operate the air-feed compressor at its optimal point with respect to the load current, thereby maintaining the required oxygen excess ratio while keeping the power consumption low. There are two major contributions in this brief. First, it is shown that if the bounds of parametric uncertainty are known, then the air-feed control problem can be practically solved with the third-order robust HOSMC controller of [17]. The second main contribution in this brief is the extension of the partial adaptive controller presented in [17] to develop, for the first time, a complete adaptive arbitrary order sliding mode controller. The adaptation dynamics use a saturation function that results in rapid increase as well as rapid decrease of gains when the sliding variable and its derivatives are, respectively, outside and inside of a defined neighborhood of zero. The advantages of this adaptive controller design are its arbitrary order and its fast adaptation rates in both directions. The Lyapunov function defines sufficient conditions for controller parameters in order to ensure convergence to a defined neighborhood. The practical applicability of both the robust and adaptive controllers is demonstrated on a hardware-in-loop (HIL) air-feed test bench, using a real-time physical PEMFC emulator. A comparative analysis of the performances of the robust and adaptive controller is also presented.

This brief is organized as follows. The PEMFC air-feed system is described in Section II. HOSM problem formulation and robust and adaptive control design are discussed in Section III. Their implementation and experimental results are shown in Section IV. Finally, the conclusions are drawn in Section V.

II. PEMFC AIR-FEED SYSTEM

The PEMFC air-feed system (Fig. 1) feeds the fuel cell cathode with air (as the source of oxygen). It consists of a motocompressor and a manifold, in which a certain quantity of air (oxygen excess) is maintained such that the reaction between hydrogen and oxygen is continuous, without any interruption. Maintaining sufficient oxygen excess is critical for the PEMFC, as insufficient air leads to oxygen starvation during load transitions, where a sudden high load imposes a sudden increase in the rate of reaction. The dynamic model of

a fuel cell air-feed system is as follows [22]:

$$\begin{aligned} \dot{x}_1 &= c_1(x_4 - x_1 - x_2 - c_2) \\ &\quad - \frac{c_3 x_1}{c_4 x_1 + c_5 x_2 + c_6} c_{17} \sqrt{x_1 + x_2 + c_2 - c_{11}} - c_7 \zeta \\ \dot{x}_2 &= c_8(x_4 - x_1 - x_2 - c_2) \\ &\quad - \frac{c_3 x_2}{c_4 x_1 + c_5 x_2 + c_6} c_{17} \sqrt{x_1 + x_2 + c_2 - c_{11}} \\ \dot{x}_3 &= -c_9 x_3 - c_{10} \left[\left(\frac{x_4}{c_{11}} \right)^{c_{12}} - 1 \right] + c_{13} u \\ \dot{x}_4 &= c_{14} \left[1 + c_{15} \left[\left(\frac{x_4}{c_{11}} \right)^{c_{12}} - 1 \right] \right] \\ &\quad [W_{cp} - c_{16}(x_4 - x_1 - x_2 - c_2)] \end{aligned} \quad (1)$$

$$u = I_q, \quad \zeta = I_{st}, \quad W_{cp} = c_{21} \omega_{cp}. \quad (2)$$

The physical quantities that form the state vector x are

$$x = [x_1 \ x_2 \ x_3 \ x_4]^T = [p_{O_2} \ p_{N_2} \ \omega_{cp} \ p_{sm}]^T$$

where p_{O_2} and p_{N_2} represent the oxygen partial pressure and the nitrogen partial pressure, respectively. The compressor speed is denoted by ω_{cp} and the supply manifold pressure is denoted by p_{sm} . The control input u is the motor current, whereas the fuel cell stack current ζ is considered as measurable input disturbance. The compressor airflow is denoted by W_{cp} and it is proportional to the compressor speed. The parameters c_i are considered as uncertain constants, decomposed as $c_i = c_{0i} + \delta c_i$, where c_{0i} and δc_i are the nominal value and the uncertainty of c_i , respectively. Complete details and physical significance of these parameters can be found in [22].

A. Control Objective

The control problem in the PEMFC system is to ensure a certain excess amount of air in the cathode while minimizing the energy consumed by the air-feed compressor. The oxygen excess ratio can be written as [22]

$$\lambda_{O_2} = \frac{c_{19}}{c_{20} \zeta} (x_4 - x_1 - x_2 - c_2). \quad (3)$$

The net electrical power is optimized by reducing the consumption of the compressor, i.e., maintaining the oxygen excess ratio λ_{O_2} at its reference optimal value $\lambda_{O_2,ref}$, which is determined as a function of the stack current ζ [22]

$$\lambda_{O_2,ref} = 5 \times 10^{-8} \zeta^3 - 2.87 \times 10^{-5} \zeta^2 + 2.23 \times 10^{-3} \zeta + 2.5. \quad (4)$$

Our objective is to force λ_{O_2} to follow $\lambda_{O_2,ref}$ in finite time.

III. HIGHER ORDER SLIDING MODE CONTROLLERS

In this section, we will first recall the preliminary formulation of the HOSM control problem and the robust HOSM controller of [17]. Then, based on the initial findings of [17], the complete adaptive HOSM controller will be presented. Let us consider an uncertain nonlinear system

$$\begin{cases} \dot{x}(t) = f(x, t) + g(x, t)u \\ y(t) = s(x, t) \end{cases} \quad (5)$$

where $x \in \mathbb{R}^n$ is the state vector and $u \in \mathbb{R}$ is the control input. The sliding variable s is a measured smooth output-feedback function and $f(x, t)$ and $g(x, t)$ are uncertain smooth functions. It is assumed that the relative degree r of the system is globally well defined, uniform, and time-invariant, and the associated zero dynamics are asymptotically stable [9]. Then, for suitable functions $\tilde{\varphi}(x, t)$ and $\tilde{\gamma}(x, t)$, (5) can be rewritten as

$$y^{(r)}(t) = \tilde{\varphi}(x(t), t) + \tilde{\gamma}(x(t), t)u(t). \quad (6)$$

The functions $\tilde{\gamma}(x(t), t)$ and $\tilde{\varphi}(x(t), t)$ are assumed to be bounded by positive constants γ_m , γ_M , and $\bar{\varphi}$, such that

$$0 < \gamma_m \leq \tilde{\gamma}(x(t), t) \leq \gamma_M, \quad |\tilde{\varphi}(x(t), t)| \leq \bar{\varphi}. \quad (7)$$

Defining $s^{(i)} := d^i/dt^i y$, the goal of r th order SMC is to arrive at, and keep the following manifold in finite time:

$$s^{(0)}(x, t) = s^{(1)}(x, t) = \dots = s^{(r-1)}(x, t) = 0. \quad (8)$$

To be more precise, for $z = [z_1 \ z_2 \ \dots \ z_r]^T := [s \ \dot{s} \ \dots \ s^{(r-1)}]^T$, (8) is equivalent to $z = 0$. It is natural to replace (5) with a more general control system based on (7)

$$\begin{cases} \dot{z}_i = z_{i+1}, \quad i = 1, \dots, r-1 \\ \dot{z}_r = \varphi(t) + \gamma(t)u \in I_\varphi + uI_\gamma \end{cases} \quad (9)$$

where the new functions φ and γ are arbitrary measurable functions, bounded such that

$$\varphi(t) \in [-\bar{\varphi}, \bar{\varphi}], \quad \gamma(t) \in [\gamma_m, \gamma_M] \quad (10)$$

where $\bar{\varphi}$, γ_m , and γ_M are positive constants. This system represents a perturbed integrator chain. The objective of this brief is to design controllers that stabilize (9) to the origin, ideally in finite time. Since these controllers are to be discontinuous feedback laws $u = U(z)$, solutions of (9) need to be understood here in Filippov sense [23].

A. Robust Higher Order Sliding Mode Controller

Let us first recall the robust controller [17], which is designed to (9), assuming that the bounds $\bar{\varphi}$, γ_m , and γ_M are known. This controller has been derived from a class of Lyapunov-based controllers that guarantee finite-time stabilization of pure chain of integrators ($\varphi \equiv 0$ and $\gamma \equiv 1$) [24], and satisfy certain additional geometric conditions. Let us consider that the initial states of the system are in a neighborhood of origin, $\hat{U} \subset \mathbb{R}^r$. Then, the main result of [17] is given as follows.

Theorem 1: If there exists a controller $u_0(z)$ that stabilizes a pure integrator chain in finite time and there exists a C^1 function V_1 defined on the neighborhood $\hat{U} \subset \mathbb{R}^r$, such that:

- 1) $\dot{V}_1 + cV_1^\alpha(z(t)) \leq 0$, if $z(t) \in \hat{U}$;
- 2) $\frac{\partial V_1}{\partial z_r} u_0 \leq 0$;
- 3) $u_0 = 0 \Rightarrow \frac{\partial V_1}{\partial z_r} = 0$.

Then, the following control law establishes HOSM on (9) with respect to s :

$$u = \frac{1}{\gamma_m} (u_0 + \bar{\varphi} \text{sign}(u_0)). \quad (11)$$

The detailed proof of this theorem can be found in [17]. It can be verified that many controllers, such as those of [25] and [26], fulfill the conditions demanded in Theorem 2. For the rest of this brief, we consider Hong's controller [25], which is defined as follows.

Let $k < 0$ and l_1, \dots, l_r positive real numbers and $[a]^\theta := |a|^\theta \text{sign}(a)$, $\forall a \in \mathbb{R}, \theta > 0$. For $z = (z_1, \dots, z_r)$, we define for $i = 0, \dots, r-1$

$$\begin{cases} p_i = 1 + (i-1)k \\ v_0 = 0, \quad v_{i+1} = -l_{i+1} [|z_{i+1}|^{\beta_i} - |v_i|^{\beta_i}]^{\alpha_{i+1}/\beta_i} \end{cases} \quad (12)$$

where $\alpha_i = p_{i+1}/p_i$, for $i = 1, \dots, r$, and, for $k < 0$ sufficiently small, we have $\beta_0 = p_2$, $(\beta_i + 1)p_{i+1} = \beta_0 + 1 > 0$, $i = 1, \dots, r-1$.

B. Adaptive Controller

Let us now consider the case where uncertainty bounds γ_m , γ_M , and $\bar{\varphi}$ of (9) are unknown. In [17], this problem was partially solved and a controller was developed which could function without any explicit knowledge of $\bar{\varphi}$. We now present a complete arbitrary HOSM controller that can be designed without the knowledge of bounds of either uncertain function. Let us first define $\sigma(a)$ as the standard saturation function, $\sigma(a) = (a/\max(1, |a|))$, $a \in \mathbb{R}$. For $\varepsilon > 0$, $a \in \mathbb{R}$, we define

$$v_\varepsilon(a) = \frac{1}{2} + \frac{1}{2} \sigma\left(\frac{|a| - \frac{3}{4}\varepsilon}{\frac{1}{4}\varepsilon}\right).$$

We now propose the following controller:

$$u = \hat{\gamma} u_0(z) + \hat{\varphi} \text{sign}(u_0(z)) \quad (13)$$

where u_0 is a homogeneous controller, as defined in Theorem 1. The adaptive function $\hat{\gamma} = \kappa + \delta|u_0(z)|$ and $\hat{\varphi}(t)$ is defined by the ordinary differential equation

$$\dot{\hat{\varphi}}(t) = kv_\varepsilon(V_1(z)) - (1 - v_\varepsilon(V_1(z))) [\hat{\varphi}]^\eta$$

with the initial condition $\hat{\varphi}(0) = 0$. The new terms are defined as $\kappa, \delta > 0$, $\eta \in (0, 1)$, $k > 0$, and V_1 is a homogeneous Lyapunov function which also satisfies Theorem 1. The following theorem provides the main result for the adaptive controller.

Theorem 2: Consider (9) under the feedback control law (13). Then, $\forall \varepsilon, \exists c' > 0$ and $0 < \alpha' < 1$ such that the following conditions are satisfied for any initial condition $z_0 \in \hat{U}$.

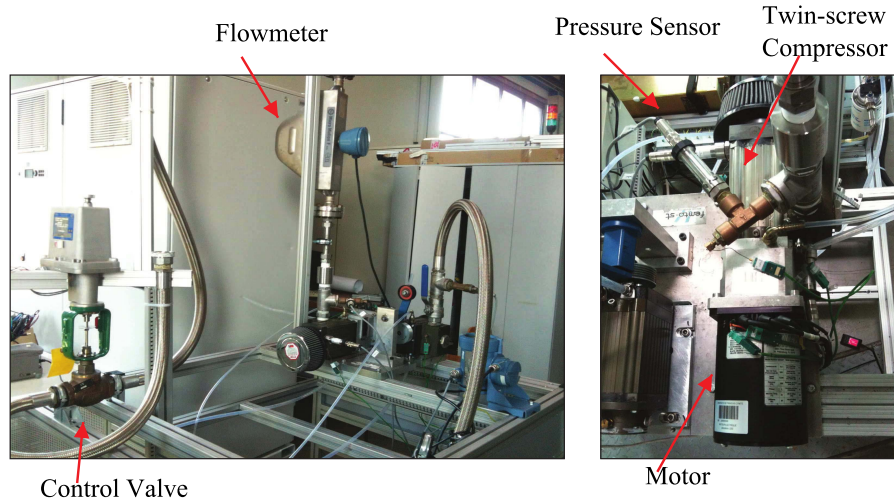


Fig. 2. Test bench.

AQ:3 250 1) $\liminf_{t \rightarrow \infty} V_1(z(t)) \leq \varepsilon$, $\limsup_{t \rightarrow \infty} V_1(z(t)) \leq \Delta$.
 251 2) $\limsup_{t \rightarrow \infty} |\hat{\phi}| \leq 2\bar{\Phi} + k(\Delta^{1-\alpha}/(c(1-\alpha)))$

252 where

253
$$\bar{\Phi} := \frac{1}{\gamma_m} \left(\bar{\varphi} + \frac{(\kappa\gamma_m - 1)^2}{4\gamma_m\delta} \right)$$

 254
$$\Delta := \left(\varepsilon^{1-\alpha'} + \frac{c'(1-\alpha')\gamma_m}{2k} \bar{\Phi}^2 \right)^{\frac{1}{1-\alpha'}}$$

255 *Proof of Theorem 2:* We first demonstrate that the controller
 256 brings the system states from any domain $V_1 > \varepsilon$ to the
 257 domain $V_1 \leq \varepsilon$ in finite time. Then, it is proved that once
 258 z reaches the domain $V_1 \leq \varepsilon$, it stays in the domain $V_1 \leq \Delta$
 259 for all consecutive time instances and $\hat{\phi}$ is upper bounded after
 260 a sufficiently large time.

261 *Lemma 1 [17]:* The function $\hat{\phi}$ is non-negative and is
 262 defined as long as the trajectory of z is defined.

263 Now, let us use contradiction again, to show
 264 $\liminf_{t \rightarrow \infty} V_1(z(t)) \leq \varepsilon$. Supposing that there exists \bar{t}
 265 such that $V_1(t) > \varepsilon$ for every $t \geq \bar{t}$, then according to the
 266 dynamics of $\hat{\phi}$, we get $\dot{\hat{\phi}} = k$ for $t \geq \bar{t}$. This implies that
 267 for $t \geq \bar{t}$, $\hat{\phi}$ is increasing and $\hat{\phi} > \bar{\Phi}$. The derivative of the
 268 Lyapunov function is

269
$$\dot{V}_1 = \frac{\partial V_1}{\partial z_1} z_2 + \dots + \frac{\partial V_1}{\partial z_r} (\gamma [\hat{y} u_0 + \hat{\phi} \text{sign}(u_0)] + \varphi)$$

 270
$$= \frac{\partial V_1}{\partial z_1} z_2 + \dots + \frac{\partial V_1}{\partial z_r} u_0 + \frac{\partial V_1}{\partial z_r}$$

 271
$$\times (-u_0 + \kappa\gamma u_0 + \gamma\delta |u_0|^2 + \gamma\hat{\phi} \text{sign}(u_0) + \varphi)$$

 272
$$\leq -cV_1^\alpha - \left| \frac{\partial V_1}{\partial z_r} \right| \left((\kappa\gamma_m - 1)|u_0| + \gamma_m\delta |u_0|^2 + \gamma_m\hat{\phi} - \bar{\varphi} \right)$$

 273
$$\leq -cV_1^\alpha - \gamma_m \left| \frac{\partial V_1}{\partial z_r} \right| (\hat{\phi} - \bar{\Phi}) \leq -cV_1^\alpha \quad (14)$$

274 then, $V_1(z)$ converges to zero in finite time, which contradicts
 275 the hypothesis. The functions u_0 and V_1 are homogeneous,
 276 which according to [27], means that $\exists c', \alpha' > 0 : |\partial V_1 / \partial z_r| \leq$
 277 $c' V_1^{\alpha'}$, where $c' = \max_{\{z: V_1(z)=1\}} |\partial V_1 / \partial z_r|$, $\alpha' = \kappa_2 / \kappa_1$. The
 278 terms κ_2 and κ_1 are the respective degrees of homogeneity
 279 of $\partial V_1 / \partial z_r$ and V_1 . We suppose now that $V_1 < \varepsilon$. Let us

estimate the overshoot in the worst case condition with respect
 to uncertainty. For $V_1(z(0)) = \varepsilon$ and $\hat{\phi}(0) = 0$, we get

282
$$\dot{V}_1 \leq -cV_1^\alpha - \gamma_m c' V_1^{\alpha'} (\hat{\phi} - \bar{\Phi}), \quad \dot{\hat{\phi}} = k. \quad (15)$$

283 The overshoot Δ of V_1 holds for $\dot{V}_1 = 0$ at $t = T_M$. We get
 284 $\hat{\phi}(T_M) = \bar{\Phi} - c\Delta^{\alpha-\alpha'} / c'\gamma_m \leq \bar{\Phi}$, and then $T_M \leq \bar{\Phi} / k$.
 285 An upper bound of Δ can be estimated as

286
$$\Delta = \left(\varepsilon^{1-\alpha'} + \frac{c'(1-\alpha')\gamma_m}{2k} \bar{\Phi}^2 \right)^{\frac{1}{1-\alpha'}}$$

287 For an upper bound of $\limsup_{t \rightarrow \infty} \hat{\phi}$, consider the case
 288 $V_1(z(0)) = \varepsilon$ with $\dot{V}_1(z(0)) \geq 0$, in this case we have
 289 $\hat{\phi}(0) < \bar{\Phi}$. For $t = T_M$, i.e., $\dot{V}_1 = 0$, we get $\hat{\phi}(T_M) \leq$
 290 $\bar{\Phi} + \hat{\phi}(0) \leq 2\bar{\Phi}$. $\hat{\phi}$ will increase until time T_f where
 291 $\dot{\hat{\phi}}(T_f) = 0$ and $V_1(z(T_f)) \geq 0$. The worst case is calculated
 292 with respect to the boundary of $\hat{\phi}$, using $\dot{V}_1 \leq -cV_1^\alpha$
 293 and $\dot{\hat{\phi}} = k$. Here, T_f corresponds to $V_1(z(T_f)) = 0$,
 294 i.e., $T_f T_M = (\Delta^{1-\alpha}) / (c(1-\alpha))$, which implies that
 295 $\hat{\phi}(T_f) \leq \hat{\phi}(T_M) + k(T_f T_M) = 2\bar{\Phi} + k\Delta^{(1-\alpha)}/c(1-\alpha)$. \square

296 *Remark 1:* The second inequality of 1) of Theorem 2 is
 297 equivalent to Levant's concept of real HOSM [28], defined as

298
$$\exists t_1 > 0 : \forall t > t_1, |z_i(t)| \leq \mu_i, \quad i = 1, \dots, r-1$$

299 where μ_i is an arbitrarily small positive number. This is
 300 equivalent to practical stability of z_1, \dots, z_r .

301 IV. DESIGN AND IMPLEMENTATION

302 Let us now turn toward design of the robust and adaptive
 303 controllers presented in Section III, for PEMFC air-feed
 304 system application. As mentioned previously, third-order
 305 controllers will be designed in order to obtain a smooth
 306 current profile. The test bench is described first in order to
 307 present a physical outlook of the system under consideration.
 308 Then, the designed controllers and experimental results are
 309 presented.

310 A. Test Bench Description

311 The experiments have been conducted on a HIL test bench,
 312 presented in Figs. 2 and 3. This bench consists of a twin-
 313 screw compressor air-feed system coupled with a real time

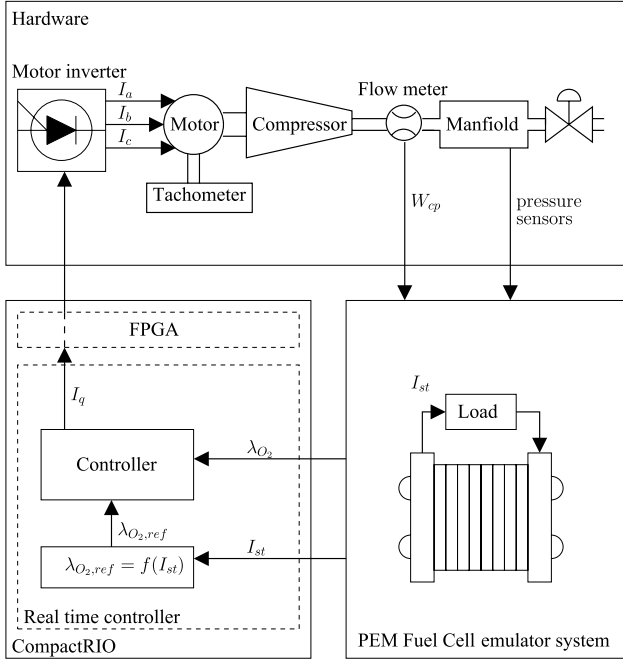


Fig. 3. HIL simulator.

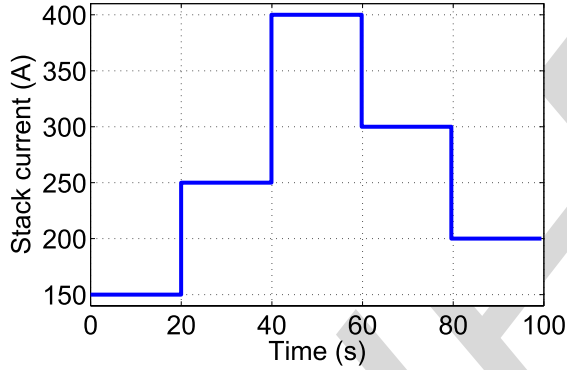


Fig. 4. Stack current (A).

314 33-kW fuel cell emulator. The twin-screw compressor is driven
 315 by a permanent magnet synchronous motor (PMSM). The
 316 three-phase currents of PMSM are calculated from dq
 317 coordinates and supplied by an inverter. The control input I_q
 318 is generated by the proposed controllers installed in a real-time
 319 controller and fed to the inverter. The measured compressor
 320 airflow W_{cp} is fed to the real-time fuel cell emulation system.
 321 The PEMFC emulator receives the flow rate W_{cp} , in order
 322 to generate the states x_1 , x_2 , x_4 , and λ_{O_2} (see Section II
 323 for physical description of the states). Its physical parameters
 324 can be varied to emulate the effect of external operating
 325 conditions on the fuel cell. The output load is simulated as
 326 variable stack current steps between 150 and 400 A, in steps.
 327 The load profile used in the tests for this brief is shown
 328 in Fig. 4.

329 B. Controller Design and Experimental Results

330 Let us consider (1) and the equations of λ_{O_2} and $\lambda_{O_2,ref}$,
 331 i.e., (3) and (4). The system parameters are given in [22].
 332 The sliding variable is defined as $z_1 = s = \lambda_{O_2} - \lambda_{O_2,ref}$.

In our case, the sliding variable s depends on x_1 , x_2 , and x_4 .
 The first and second time derivative of s are

$$\begin{aligned} \dot{s} = z_2 &= \frac{\partial}{\partial x_1} s(x_1, x_2, x_4) \cdot \dot{x}_1(x_1, x_2, x_4) \\ &+ \frac{\partial}{\partial x_2} s(x_1, x_2, x_4) \cdot \dot{x}_2(x_1, x_2, x_4) \\ &+ \frac{\partial}{\partial x_4} s(x_1, x_2, x_4) \cdot \dot{x}_4(x_1, x_2, x_3, x_4) \\ \ddot{s} = z_3 &= \frac{\partial}{\partial x_1} \dot{s}(x_1, x_2, x_3, x_4) \cdot \dot{x}_1(x_1, x_2, x_4) \\ &+ \frac{\partial}{\partial x_2} \dot{s}(x_1, x_2, x_4) \cdot \dot{x}_2(x_1, x_2, x_4) \\ &+ \frac{\partial}{\partial x_3} \dot{s}(x_1, x_2, x_3, x_4) \cdot \dot{x}_3(x_3, x_4, u) \\ &+ \frac{\partial}{\partial x_4} \dot{s}(x_1, x_2, x_3, x_4) \cdot \dot{x}_4(x_1, x_2, x_3, x_4). \end{aligned}$$

The control input u appears for the first time in the second
 time derivative of s . To obtain a continuous control u , the
 discontinuous control is applied on the higher derivative \dot{u} .
 We get

$$s^{(3)} = \dot{z}_3 = \underbrace{\dot{\phi} + \dot{\gamma} u + \gamma v}_{\Phi}$$

where $v = \dot{u}$, Φ , and γ are uncertain bounded functions that
 satisfy

$$\Phi \in [-\bar{\varphi}, \bar{\varphi}], \quad \gamma \in [\gamma_m, \gamma_M]. \quad (16)$$

For the PEMFC under consideration, the bounding values
 of the parameters were determined as percentage deviations
 through precise physical analyses. The numerical values of
 the uncertainty limits were obtained as $\bar{\varphi} = 0.03$, $\gamma_m = 5$,
 and $\gamma_M = 15$.

From here, the control objective becomes equivalent to
 forcing s , and its first and second time derivatives to
 zero in finite time, through $s^{(3)} \in [-\bar{\varphi}, \bar{\varphi}] + [\gamma_m, \gamma_M]v$.
 We first develop a third-order SMC robust controller
 using (11) and (12). According to Theorem 1, the controller
 takes the following structure:

$$\begin{aligned} v_1 &= -l_1 |s|^{\alpha_1} \\ v_2 &= -l_2 [|\dot{s}|^{\beta_1} - |v_1|^{\beta_1}]^{\alpha_2/\beta_1} \\ v_3 &= -l_3 [|\ddot{s}|^{\beta_2} - |v_2|^{\beta_2}]^{\alpha_3/\beta_2} \\ v &= \dot{u} = \frac{1}{\gamma_m} (v_3 + \bar{\varphi} \text{sign}(v_3)). \end{aligned} \quad (17)$$

In this test, the parameters have been tuned to the following
 values: $l_1 = 5$, $l_2 = 10$, $l_3 = 40$, $\beta_0 = 0.8$, $\beta_1 = 1.25$,
 $\beta_2 = 2$, $\alpha_1 = 4/5$, $\alpha_2 = 3/4$, $\alpha_3 = 2/3$, $\gamma_m = 5$, $\bar{\varphi} = 0.03$.

The load variations (Fig. 4) result in changes in $\lambda_{O_2,ref}$,
 according to (4). The performance of the robust controller
 with respect to these changes is shown in Fig. 5. It can
 be seen in Fig. 5(a) that λ_{O_2} tracks $\lambda_{O_2,ref}$ successfully
 with a response time between 3 and 7 s practically.
 The control input (I_q) is shown in Fig. 5(b), it varies
 between 0 and 3 A. As the controller establishes third-order
 HOSM, the oscillations in I_q are negligible and it has a smooth
 profile.

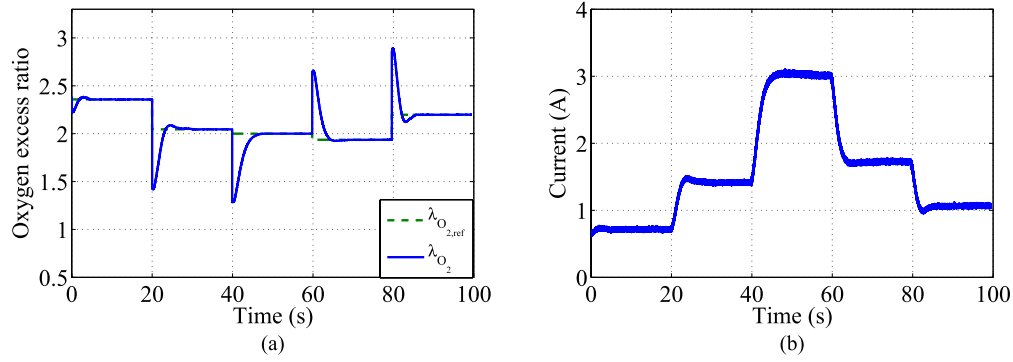


Fig. 5. Robust controller. (a) λ_{O_2} . (b) I_q .

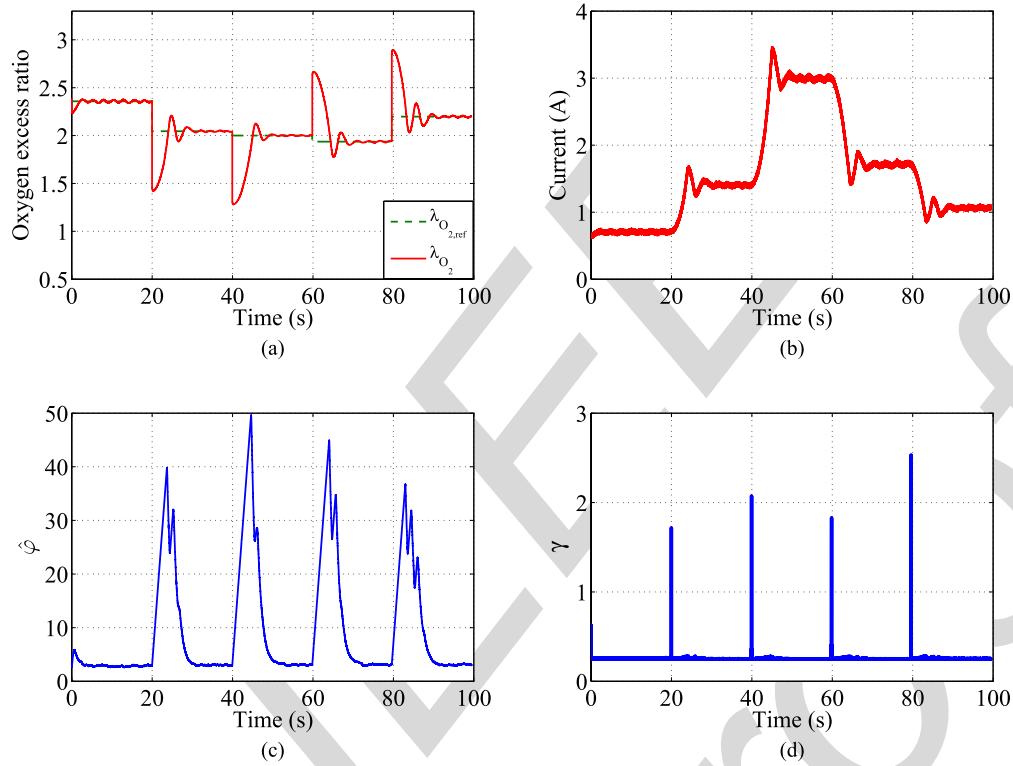


Fig. 6. Adaptive controller. (a) λ_{O_2} . (b) I_q . (c) $\hat{\phi}$. (d) $\hat{\gamma}$.

377 We will now demonstrate the proposed adaptive controller
 378 for the same problem, assuming that we have no knowledge
 379 of the uncertainty bounds. The third-order SMC adaptive
 380 controller is designed using (12) and (13). According
 381 to Theorem 3, the controller has the following structure:

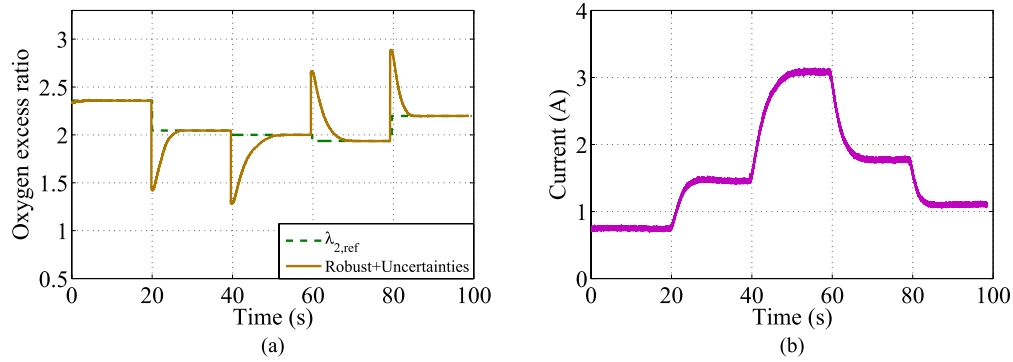
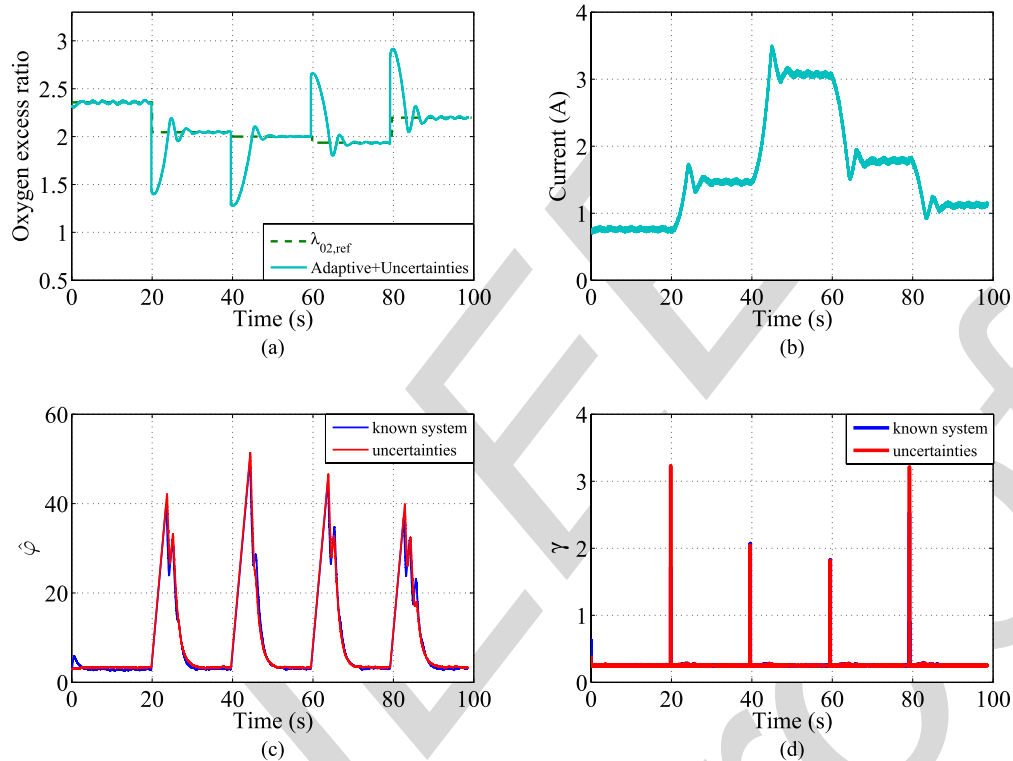
$$v = \dot{u} = \hat{\gamma} v_3 + \hat{\phi} \text{sign}(v_3) \quad (18)$$

383 where v_3 is the same as in (17). The controller
 384 parameters used in adaptive case are as follows: $l_1 = 5$,
 385 $l_2 = 10$, $l_3 = 40$, $\beta_0 = 0.8$, $\beta_1 = 1.25$, $\beta_2 = 2$,
 386 $\alpha_1 = 4/5$, $\alpha_2 = 3/4$, $\alpha_3 = 2/3$, $k = 5$, $\eta = 0.95$,
 387 $\varepsilon = 0.001$, $\kappa = 0.25$, $\delta = 0.001$.

388 The results of the adaptive controller are shown in Fig. 6.
 389 Fig. 6(a) shows that λ_{O_2} converges and remains inside a small
 390 and acceptable neighborhood around the desired value $\lambda_{O_2,ref}$.
 391 The control input, I_q is shown in Fig. 6(b) and the behaviors of
 392 the adaptive parameters $\hat{\phi}$ and $\hat{\gamma}$ are shown in Fig. 6(c) and (d),

respectively. It can be seen that $\hat{\phi}$ increases at each stack
 393 current step, and then decreases rapidly after the convergence
 394 of the tracking error. As ideal sliding mode cannot be achieved
 395 in this case, small oscillations can be seen in $\hat{\gamma}$. In general,
 396 these results show the effectiveness of both the robust and
 397 adaptive controllers for a wide range of stack current variation,
 398 i.e., external perturbation.

399 To demonstrate the robustness of our controllers in dealing
 400 with parametric uncertainty, another series of experiments was
 401 conducted, in which the parameters of the PEMFC emulator
 402 were varied to their extreme values [22]. The designed
 403 controllers were again tested with the same controller
 404 parameters as determined before. The results of the robust
 405 controller in these tests are shown in Fig. 7. The system
 406 response in Fig. 7(a) and the control input in Fig. 7(b)
 407 show that this controller performs as well as in the previous
 408 tests with defined system parameter values. The results of
 409

Fig. 7. Robust controller (parametric shift). (a) λ_{O_2} . (b) I_q .Fig. 8. Adaptive controller (parametric shift). (a) λ_{O_2} . (b) I_q . (c) $\hat{\phi}$. (d) $\hat{\gamma}$.

410 the adaptive controller are shown in Fig. 8. We see again
 411 in Fig. 8(a) a similar behavior of tracking error as compared
 412 with the previous tests. However, the static value of the
 413 quadratic current [Fig. 8(b)] changes in order to accommodate
 414 the emulated parametric drift. The adaptive gains $\hat{\phi}$ and $\hat{\gamma}$
 415 adapt to counteract the uncertainty, ensuring convergence,
 416 as seen in Fig. 8(c) and (d). These tests demonstrate that both
 417 the robust and adaptive controllers are capable of handling
 418 parametric uncertainty, albeit with different mechanisms.

419 V. CONCLUSION

420 In this brief, the control problem of PEMFC air-feed system
 421 was addressed using two arbitrary HOSM controllers associ-
 422 ated with the finite-time stabilization of a perturbed chain of
 423 integrators with bounded uncertainty. The design of the first
 424 controller requires the knowledge of the uncertainty bounds.
 425 The second controller is adaptive and its design does not
 426 require any quantitative knowledge of the uncertainty bounds.

The arbitrary order nature of controllers permitted to extend
 the air-feed system from second to third order, resulting in
 continuous input current profile. The proposed controllers
 showed good performance in simulation and in experiments
 conducted on a PEMFC air-feed test bench.

432 REFERENCES

- 433 [1] J. T. Pukrushpan, A. G. Stefanopoulou, and H. Peng, *Control of Fuel Cell*
 434 *Power Systems: Principles, Modeling, Analysis and Feedback Design*.
 435 New York, NY, USA: Springer-Verlag, 2004.
- 436 [2] A. Y. Karnik, A. G. Stefanopoulou, and J. Sun, "Water equilibria and
 437 management using a two-volume model of a polymer electrolyte fuel
 438 cell," *J. Power Sour.*, vol. 164, no. 2, pp. 590–605, 2007.
- 439 [3] A. Vahidi, I. Kolmanovsky, and A. Stefanopoulou, "Constraint handling
 440 in a fuel cell system: A fast reference governor approach," *IEEE Trans.*
 441 *Control Syst. Technol.*, vol. 15, no. 1, pp. 86–98, Jan. 2007.
- 442 [4] S. V. Emel'yanov, S. K. Korovin, and A. Levant, "High-order sliding
 443 modes in control systems," *Comput. Math. Model.*, vol. 7, no. 3,
 444 pp. 294–318, 1996.
- 445 [5] V. I. Utkin, *Sliding Modes in Control and Optimization*. Berlin,
 446 Germany: Springer-Verlag, 1992.

- 447 [6] A. Levant, "Universal single-input-single-output (SISO) sliding-mode
448 controllers with finite-time convergence," *IEEE Trans. Autom. Control*,
449 vol. 46, no. 9, pp. 1447–1451, Sep. 2001.
- 450 [7] A. Levant, "Homogeneity approach to high-order sliding mode design,"
451 *Automatica*, vol. 41, no. 5, pp. 823–830, 2005.
- 452 [8] M. Defoort, T. Floquet, A. Kokosy, and W. Perruquetti, "A novel higher
453 order sliding mode control scheme," *Syst. Control Lett.*, vol. 58, no. 2,
454 pp. 102–108, 2009.
- 455 [9] F. Dinuzzo and A. Ferrara, "Higher order sliding mode controllers
456 with optimal reaching," *IEEE Trans. Autom. Control*, vol. 54, no. 9,
457 pp. 2126–2136, Sep. 2009.
- 458 [10] Y.-J. Huang, T.-C. Kuo, and S.-H. Chang, "Adaptive sliding-mode
459 control for nonlinear systems with uncertain parameters," *IEEE Trans.*
460 *Syst., Man, Cybern. B, Cybern.*, vol. 38, no. 2, pp. 534–539,
461 Apr. 2008.
- 462 [11] F. Plestan, Y. Shtessel, V. Brégeault, and A. Poznyak, "New methodolo-
463 gies for adaptive sliding mode control," *Int. J. Control*, vol. 83, no. 9,
464 pp. 1907–1919, 2010.
- 465 [12] F. Plestan, Y. Shtessel, V. Brégeault, and A. Poznyak, "Sliding mode
466 control with gain adaptation—Application to an electropneumatic
467 actuator," *Control Eng. Pract.*, vol. 21, no. 5, pp. 679–688, 2013.
- 468 [13] Y. Shtessel, M. Taleb, and F. Plestan, "A novel adaptive-gain super-twist-
469 ing sliding mode controller: Methodology and application," *Automatica*,
470 vol. 48, no. 5, pp. 759–769, 2011.
- 471 [14] A. Dávila, J. A. Moreno, and L. Fridman, "Variable gains super-twisting
472 algorithm: A Lyapunov based design," in *Proc. Amer. Control Conf.*,
473 Baltimore, MD, USA, Jun./Jul. 2010, pp. 968–973.
- 474 [15] M. Taleb, A. Levant, and F. Plestan, "Pneumatic actuator control:
475 Solution based on adaptive twisting and experimentation," *Control Eng.*
476 *Pract.*, vol. 21, no. 5, pp. 727–736, 2013.
- 477 [16] A. Glumineau, Y. B. Shtessel, and F. Plestan, "Impulsive-sliding mode
478 adaptive control of second order system," in *Proc. 18th IFAC World*
479 *Congr.*, Milan, Italy, Aug./Sep. 2011, pp. 5389–5394.
- 480 [17] M. Harmouche, S. Laghrouche, and Y. Chitour, "Robust and adaptive
481 higher order sliding mode controllers," in *Proc. 51st IEEE Conf.*
482 *Decision, Control, Eur. Control Conf.*, Orlando, FL, USA, Dec. 2012,
483 pp. 6436–6441.
- 484 [18] W. Gracia-Gabin, F. Dorado, and C. Bordons, "Real-time imple-
485 mentation of a sliding mode controller for air supply on a PEM
486 fuel cell," *J. Process Control*, vol. 20, no. 3, pp. 325–336,
487 2010.
- 488 [19] C. Kunusch, P. F. Puleston, M. A. Mayosky, and J. Riera, "Sliding
489 mode strategy for PEM fuel cells stacks breathing control using a super-
490 twisting algorithm," *IEEE Trans. Control Syst. Technol.*, vol. 17, no. 1,
491 pp. 167–174, Jan. 2009.
- 492 [20] I. Matraji, S. Laghrouche, and M. Wack, "Cascade control of the moto-
493 compressor of a PEM fuel cell via second order sliding mode," in *Proc.*
494 *50th IEEE Conf. Decision, Control, Eur. Control Conf. (CDC-ECC)*,
495 Dec. 2011, pp. 633–638.
- 496 [21] C. Kunusch, P. F. Puleston, M. A. Mayosky, and L. Fridman, "Exper-
497 imental results applying second order sliding mode control to a PEM
498 fuel cell based system," *Control Eng. Pract.*, vol. 21, no. 5, pp. 719–726,
499 2013.
- 500 [22] I. Matraji, S. Laghrouche, S. Jemei, and M. Wack, "Robust control
501 of the PEM fuel cell air-feed system via sub-optimal second
502 order sliding mode," *Appl. Energy*, vol. 104, pp. 945–957,
503 Apr. 2013.
- 504 [23] A. F. Filippov, *Differential Equations with Discontinuous Righthand*
505 *Sides*. Dordrecht, The Netherlands: Kluwer, 1988.
- 506 [24] S. P. Bhat and D. S. Bernstein, "Finite-time stability of continu-
507 ous autonomous systems," *SIAM J. Control Optim.*, vol. 38, no. 3,
508 pp. 751–766, 2000.
- 509 [25] Y. Hong, "Finite-time stabilization and stabilizability of a class of
510 controllable systems," *Syst. Control Lett.*, vol. 46, no. 4, pp. 231–236,
511 2002.
- 512 [26] X. Huang, W. Lin, and B. Yang, "Global finite-time stabilization
513 of a class of uncertain nonlinear systems," *Automatica*, vol. 41, no. 5,
514 pp. 881–888, 2005.
- 515 [27] S. P. Bhat and D. S. Bernstein, "Geometric homogeneity with appli-
516 cations to finite-time stability," *Math. Control, Signals, Syst.*, vol. 17,
517 no. 2, pp. 101–127, 2005.
- 518 [28] A. Levant, "Sliding order and sliding accuracy in sliding
519 mode control," *Int. J. Control*, vol. 58, no. 6, pp. 1247–1263,
520 1993.

AQ:4

AQ:5

IEEE
PROOF